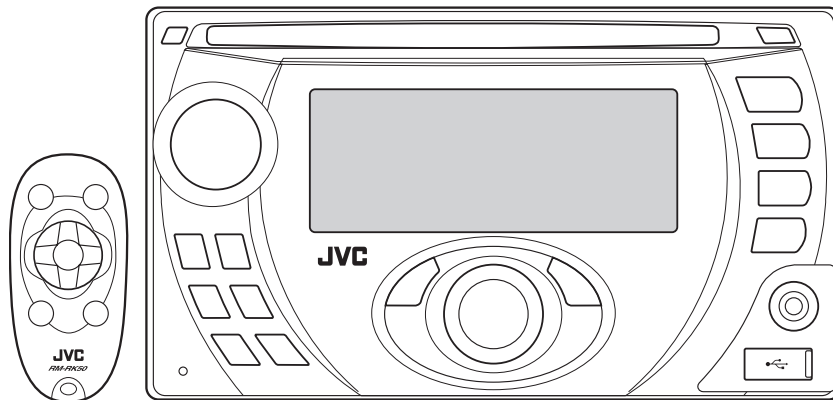


JVC

SERVICE MANUAL

CD RECEIVER

**KW-XG700J, KW-XG701E, KW-XG701EX,
KW-XG701EY, KW-XG701EU, KW-XG704UI,
KW-XG705U, KW-XG705UN, KW-XG705UH,
KW-XG706U, KW-XG706UN, KW-XG706UH,
KW-XG707EE, KW-XG708UF**



KW-XG700



KW-XG700

WMA MP3



KW-XG701
KW-XG707

* Please refer to the mechanism manual (model TN2007-1010 ([No.MY005](#) and [No.MY005B](#))) for the CD mechanism.

Lead free solder used in the board (material : Sn-Ag-Cu, melting point : 219 Centigrade)

Lead free solder used in the board (material : Sn-Cu, melting point : 230 Centigrade)

TABLE OF CONTENTS

| | | |
|---|------------------------------------|------|
| 1 | PRECAUTION..... | 1-7 |
| 2 | SPECIFIC SERVICE INSTRUCTIONS..... | 1-10 |
| 3 | DISASSEMBLY..... | 1-11 |
| 4 | ADJUSTMENT..... | 1-15 |
| 5 | TROUBLESHOOTING..... | 1-16 |

SPECIFICATION

KW-XG700

| AUDIO AMPLIFIER SECTION | | |
|--|---|--|
| Power Output | | 20 W RMS × 4 Channels at 4 Ω and [\leq] 1% THD+N |
| Signal to Noise Ratio | | 80 dBA (reference: 1 W into 4 Ω) |
| Load Impedance | | 4 Ω (4 Ω to 8 Ω allowance) |
| Tone Control Range | Bass | ±12 dB at 60 Hz |
| | Mid-range | ±12 dB at 1 kHz |
| | Treble | ±12 dB at 10 kHz |
| Frequency Response | | 40 Hz to 20 000 Hz |
| Line-Out Level/Impedance | | 2.5 V/20 kΩ load (full scale) |
| Output Impedance | | 1 kΩ |
| Subwoofer-Out Level/Impedance | | 2.5 V/20 kΩ load (full scale) |
| Other Terminal | | CD changer, Steering wheel remote input, USB input terminal, Subwoofer input, AUX (auxiliary) input jack |
| TUNER SECTION | | |
| Frequency Range | FM | 87.5 MHz to 107.9 MHz (with channel interval set to 100 kHz or 200 kHz) 87.5 MHz to 108.0 MHz (with channel interval set to 50 kHz) |
| | AM | 530 kHz to 1 710 kHz (with channel interval set to 10 kHz) 531 kHz to 1 602 kHz (with channel interval set to 9 kHz) |
| FM Tuner | Usable Sensitivity | 11.3 dBf (1.0 μV/75 Ω) |
| | 50 dB Quieting Sensitivity | 16.3 dBf (1.8 μV/75 Ω) |
| | Alternate Channel Selectivity (400 kHz) | 65 dB |
| | Frequency Response | 40 Hz to 15 000 Hz |
| | Stereo Separation | 35 dB |
| AM Tuner | Sensitivity | 20 μV |
| | Selectivity | 35 dB |
| CD PLAYER SECTION | | |
| Type | | Compact disc player |
| Signal Detection System | | Non-contact optical pickup (semiconductor laser) |
| Number of Channels | | 2 channels (stereo) |
| Frequency Response | | 5 Hz to 20 000 Hz |
| Dynamic Range | | 96 dB |
| Signal-to-Noise Ratio | | 98 dB |
| Wow and Flutter | | Less than measurable limit |
| MP3 Decoding Format: (MPEG1/2 Audio Layer 3) | | Max. Bit Rate: 320 kbps |
| WMA (Windows Media® Audio) Decoding Format | | Max. Bit Rate: 192 kbps |
| AAC (Advanced Audio Coding) Decoding Format | | Max. Bit Rate: 320 kbps |
| USB DEVICE | | |
| USB Standard | | USB 1.1 |
| Data Transfer Rate | Full Speed | Maximum 12 Mbps |
| | Low Speed | Maximum 1.5 Mbps |
| Compatible Device | | Mass storage class, MTP |
| Compatible File System | | FAT 32/16/12 |
| Playable Audio Format | | MP3/WMA/AAC/WAV |
| Max. Current | | Less than 500 mA |
| GENERAL | | |
| Power Requirement | Operating Voltage | DC 14.4 V (11 V to 16 V allowance) |
| Grounding System | | Negative ground |
| Allowable Operating Temperature | | 0°C to +40°C (32°F to 104°F) |
| Dimensions (W × H × D) (approx.) | Installation Size | 178 mm × 100 mm × 158 mm (7-1/16" × 3-15/16" × 6-1/4") |
| | Set Size | 178 mm × 100 mm × 178 mm (7-1/16" × 3-15/16" × 7-1/16") |
| Mass | | 1.8 kg (4.0 lbs) (excluding accessories) |

Design and specifications are subject to change without notice.

KW-XG701

| AUDIO AMPLIFIER SECTION | | |
|--|---|--|
| Maximum Power Output | Front and rear | 50 W per channel |
| Continuous Power Output (RMS) | Front and rear | 19 W per channel into 4 Ω , 40 Hz to 20 000 Hz at no more than 0.8% total harmonic distortion. |
| Load Impedance | | 4 Ω (4 Ω to 8 Ω allowance) |
| Tone Control Range | Bass | ± 12 dB at 60 Hz |
| | Mid-range | ± 12 dB at 1 kHz |
| | Treble | ± 12 dB at 10 kHz |
| Frequency Response | | 40 Hz to 20 000 Hz |
| Signal to Noise Ratio | | 70 dB |
| Line-Out Level/Impedance | | 2.5 V/20 k Ω load (full scale) |
| Output Impedance | | 1 k Ω |
| Subwoofer-Out Level/Impedance | | 2.5 V/20 k Ω load (full scale) |
| Other Terminal | | CD changer, Steering wheel remote input, USB input terminal, Subwoofer input, AUX (auxiliary) input jack |
| TUNER SECTION | | |
| Frequency Range | FM | 87.5 MHz to 108.0 MHz |
| | AM | (MW) 522 kHz to 1 620 kHz (LW) 144 kHz to 279 kHz |
| FM Tuner | Usable Sensitivity | 11.3 dBf (1.0 μ V/75 Ω) |
| | 50 dB Quieting Sensitivity | 16.3 dBf (1.8 μ V/75 Ω) |
| | Alternate Channel Selectivity (400 kHz) | 65 dB |
| | Frequency Response | 40 Hz to 15 000 Hz |
| | Stereo Separation | 30 dB |
| MW Tuner | Sensitivity | 20 μ V |
| | Selectivity | 35 dB |
| LW Tuner | Sensitivity | 50 μ V |
| CD PLAYER SECTION | | |
| Type | | Compact disc player |
| Signal Detection System | | Non-contact optical pickup (semiconductor laser) |
| Number of Channels | | 2 channels (stereo) |
| Frequency Response | | 5 Hz to 20 000 Hz |
| Dynamic Range | | 96 dB |
| Signal-to-Noise Ratio | | 98 dB |
| Wow and Flutter | | Less than measurable limit |
| MP3 Decoding Format: (MPEG1/2 Audio Layer 3) | | Max. Bit Rate: 320 kbps |
| WMA (Windows Media® Audio) Decoding Format | | Max. Bit Rate: 192 kbps |
| AAC (Advanced Audio Coding) Decoding Format | | Max. Bit Rate: 320 kbps |
| USB DEVICE | | |
| USB Standard | | USB 1.1 |
| Data Transfer Rate | Full Speed | Maximum 12 Mbps |
| | Low Speed | Maximum 1.5 Mbps |
| Compatible Device | | Mass storage class, MTP |
| Compatible File System | | FAT 32/16/12 |
| Playable Audio Format | | MP3/WMA/AAC/WAV |
| Max. Current | | Less than 500 mA |
| GENERAL | | |
| Power Requirement | Operating Voltage | DC 14.4 V (11 V to 16 V allowance) |
| Grounding System | | Negative ground |
| Allowable Operating Temperature | | 0°C to +40°C |
| Dimensions (W × H × D) (approx.) | Installation Size | 182 mm × 111 mm × 158 mm |
| | Set Size | 178 mm × 100 mm × 178 mm |
| Mass | | 2.3 kg (excluding accessories) |

Design and specifications are subject to change without notice.

KW-XG704

| AUDIO AMPLIFIER SECTION | | |
|--|---|---|
| Maximum Power Output | Front and rear | 50 W per channel |
| Continuous Power Output (RMS) | Front and rear | 19 W per channel into 4 Ω , 40 Hz to 20 000 Hz at no more than 0.8% total harmonic distortion. |
| Load Impedance | | 4 Ω (4 Ω to 8 Ω allowance) |
| Tone Control Range | Bass | ± 12 dB at 60 Hz |
| | Mid-range | ± 12 dB at 1 kHz |
| | Treble | ± 12 dB at 10 kHz |
| Frequency Response | | 40 Hz to 20 000 Hz |
| Signal-to-Noise Ratio | | 70 dB |
| Line-Out Level/Impedance | | 2.5 V/20 k Ω load (full scale) |
| Output Impedance | | 1 k Ω |
| Subwoofer-Out Level/Impedance | | 2.5 V/20 k Ω load (full scale) |
| Other Terminal | | CD changer, USB input terminal, Subwoofer input, AUX (auxiliary) input jack |
| TUNER SECTION | | |
| Frequency Range | FM | 87.5 MHz to 108.0 MHz |
| | AM | 531 kHz to 1 602 kHz |
| FM Tuner | Usable Sensitivity | 11.3 dBf (1.0 μ V/75 Ω) |
| | 50 dB Quieting Sensitivity | 16.3 dBf (1.8 μ V/75 Ω) |
| | Alternate Channel Selectivity (400 kHz) | 65 dB |
| | Frequency Response | 40 Hz to 15 000 Hz |
| | Stereo Separation | 30 dB |
| AM Tuner | Sensitivity | 20 μ V |
| | Selectivity | 35 dB |
| CD PLAYER SECTION | | |
| Type | | Compact disc player |
| Signal Detection System | | Non-contact optical pickup (semiconductor laser) |
| Number of Channels | | 2 channels (stereo) |
| Frequency Response | | 5 Hz to 20 000 Hz |
| Dynamic Range/Signal-to-Noise Ratio | | 96 dB/98 dB |
| Wow and Flutter | | Less than measurable limit |
| MP3 Decoding Format: (MPEG1/2 Audio Layer 3) | | Max. Bit Rate: 320 kbps |
| WMA (Windows Media® Audio) Decoding Format | | Max. Bit Rate: 192 kbps |
| USB DEVICE | | |
| USB Standard | | USB 1.1 |
| Data Transfer Rate | Full Speed | Maximum 12 Mbps |
| | Low Speed | Maximum 1.5 Mbps |
| Compatible Device | | Mass storage class |
| Compatible File System | | FAT 32/16/12 |
| Playable Audio Format | | MP3/WMA/WAV |
| Max. Current | | Less than 500 mA |
| GENERAL | | |
| Power Requirement | Operating Voltage | DC 14.4 V (11 V to 16 V allowance) |
| Grounding System | | Negative ground |
| Allowable Operating Temperature | | 0°C to +40°C |
| Dimensions (W \times H \times D) (approx.) | Installation Size | 178 mm \times 100 mm \times 158 mm |
| | Set Size: | 178 mm \times 100 mm \times 178 mm |
| Mass | | 1.8 kg (excluding accessories) |

Design and specifications are subject to change without notice.

KW-XG705/KW-XG706/KW-XG708

| AUDIO AMPLIFIER SECTION | | |
|--|---|---|
| Maximum Power Output | Front and rear | 50 W per channel |
| Continuous Power Output (RMS) | Front and rear | 19 W per channel into 4 Ω , 40 Hz to 20 000 Hz at no more than 0.8% total harmonic distortion. |
| Load Impedance | | 4 Ω (4 Ω to 8 Ω allowance) |
| Tone Control Range | Bass | ± 12 dB at 60 Hz |
| | Mid-range | ± 12 dB at 1 kHz |
| | Treble | ± 12 dB at 10 kHz |
| Frequency Response | | 40 Hz to 20 000 Hz |
| Signal-to-Noise Ratio | | 70 dB |
| Line-Out Level/Impedance | | 2.5 V/20 k Ω load (full scale) |
| Output Impedance | | 1 k Ω |
| Subwoofer-Out Level/Impedance | | 2.5 V/20 k Ω load (full scale) |
| Other Terminal | | CD changer, USB input terminal, Subwoofer input, AUX (auxiliary) input jack |
| TUNER SECTION | | |
| Frequency Range | FM | 87.5 MHz to 108.0 MHz |
| | AM | 531 kHz to 1 602 kHz |
| FM Tuner | Usable Sensitivity | 11.3 dBf (1.0 μ V/75 Ω) |
| | 50 dB Quieting Sensitivity | 16.3 dBf (1.8 μ V/75 Ω) |
| | Alternate Channel Selectivity (400 kHz) | 65 dB |
| | Frequency Response | 40 Hz to 15 000 Hz |
| | Stereo Separation | 30 dB |
| AM Tuner | Sensitivity | 20 μ V |
| | Selectivity | 35 dB |
| CD PLAYER SECTION | | |
| Type | | Compact disc player |
| Signal Detection System | | Non-contact optical pickup (semiconductor laser) |
| Number of Channels | | 2 channels (stereo) |
| Frequency Response | | 5 Hz to 20 000 Hz |
| Dynamic Range/Signal-to-Noise Ratio | | 96 dB/98 dB |
| Wow and Flutter | | Less than measurable limit |
| MP3 Decoding Format: (MPEG1/2 Audio Layer 3) | | Max. Bit Rate: 320 kbps |
| WMA (Windows Media® Audio) Decoding Format | | Max. Bit Rate: 192 kbps |
| USB DEVICE | | |
| USB Standard | | USB 1.1 |
| Data Transfer Rate | Full Speed | Maximum 12 Mbps |
| | Low Speed | Maximum 1.5 Mbps |
| Compatible Device | | Mass storage class |
| Compatible File System | | FAT 32/16/12 |
| Playable Audio Format | | MP3/WMA/WAV |
| Max. Current | | Less than 500 mA |
| GENERAL | | |
| Power Requirement | Operating Voltage | DC 14.4 V (11 V to 16 V allowance) |
| Grounding System | | Negative ground |
| Allowable Operating Temperature | | 0°C to +40°C |
| Dimensions (W \times H \times D) (approx.) | Installation Size | 178 mm \times 100 mm \times 158 mm |
| | Set Size | 178 mm \times 100 mm \times 178 mm |
| Mass | | 1.8 kg (excluding accessories) |

Design and specifications are subject to change without notice.


KW-XG707


| AUDIO AMPLIFIER SECTION | | |
|---|---|---|
| Maximum Power Output | Front and rear | 50 W per channel |
| Continuous Power Output (RMS) | Front and rear | 19 W per channel into 4 Ω , 40 Hz to 20 000 Hz at no more than 0.8% total harmonic distortion. |
| Load Impedance | | 4 Ω (4 Ω to 8 Ω allowance) |
| Tone Control Range | Bass | ± 12 dB at 60 Hz |
| | Mid-range | ± 12 dB at 1 kHz |
| | Treble | ± 12 dB at 10 kHz |
| Frequency Response | | 40 Hz to 20 000 Hz |
| Signal to Noise Ratio | | 70 dB |
| Line-Out Level/Impedance | | 2.5 V/20 k Ω load (full scale) |
| Output Impedance | | 1 k Ω |
| Subwoofer-Out Level/Impedance | | 2.5 V/20 k Ω load (full scale) |
| Other Terminal | | CD changer, USB input terminal, Subwoofer input, AUX (auxilliary) input jack |
| TUNER SECTION | | |
| Frequency Range | FM1/FM2 | 87.5 MHz to 108.0 MHz |
| | FM3 | 65.00 MHz to 74.00 MHz |
| | AM | (MW) 522 kHz to 1 620 kHz (LW) 144 kHz to 279 kHz |
| FM Tuner | Usable Sensitivity | 11.3 dBf (1.0 μ V/75 Ω) |
| | 50 dB Quieting Sensitivity | 16.3 dBf (1.8 μ V/75 Ω) |
| | Alternate Channel Selectivity (400 kHz) | 65 dB |
| | Frequency Response | 40 Hz to 15 000 Hz |
| | Stereo Separation | 30 dB |
| MW Tuner | Sensitivity | 20 μ V |
| | Selectivity | 35 dB |
| LW Tuner | Sensitivity | 50 μ V |
| CD PLAYER SECTION | | |
| Type | | Compact disc player |
| Signal Detection System | | Non-contact optical pickup (semiconductor laser) |
| Number of Channels | | 2 channels (stereo) |
| Frequency Response | | 5 Hz to 20 000 Hz |
| Dynamic Range | | 96 dB |
| Signal-to-Noise Ratio | | 98 dB |
| Wow and Flutter | | Less than measurable limit |
| MP3 Decoding Format: (MPEG1/2 Audio Layer 3) | | Max. Bit Rate: 320 kbps |
| WMA (Windows Media® Audio) Decoding Format | | Max. Bit Rate: 192 kbps |
| AAC (Advanced Audio Coding) Decoding Format | | Max. Bit Rate: 320 kbps |
| USB DEVICE | | |
| USB Standard | | USB 1.1 |
| Data Transfer Rate | Full Speed | Maximum 12 Mbps |
| | Low Speed | Maximum 1.5 Mbps |
| Compatible Device | | Mass storage class, MTP |
| Compatible File System | | FAT 32/16/12 |
| Playable Audio Format | | MP3/WMA/AAC/WAV |
| Max. Current: | | Less than 500 mA |
| GENERAL | | |
| Power Requirement | Operating Voltage | DC 14.4 V (11 V to 16 V allowance) |
| Grounding System | | Negative ground |
| Allowable Operating Temperature | | 0°C to +40°C |
| Dimensions (W \times H \times D) (approx.) | Installation Size | 182 mm \times 111 mm \times 158 mm |
| | Set Size | 178 mm \times 100 mm \times 178 mm |
| Mass | | 2.3 kg (excluding accessories) |

Design and specifications are subject to change without notice.

SECTION 1 PRECAUTION

1.1 Safety Precautions

 **CAUTION** Burrs formed during molding may be left over on some parts of the chassis. Therefore, pay attention to such burrs in the case of performing repair of this system.

 **CAUTION** Please use enough caution not to see the beam directly or touch it in case of an adjustment or operation check.

1.2 Preventing static electricity

Electrostatic discharge (ESD), which occurs when static electricity stored in the body, fabric, etc. is discharged, can destroy the laser diode in the traverse unit (optical pickup). Take care to prevent this when performing repairs.

1.2.1 Grounding to prevent damage by static electricity

Static electricity in the work area can destroy the optical pickup (laser diode) in devices such as laser products.

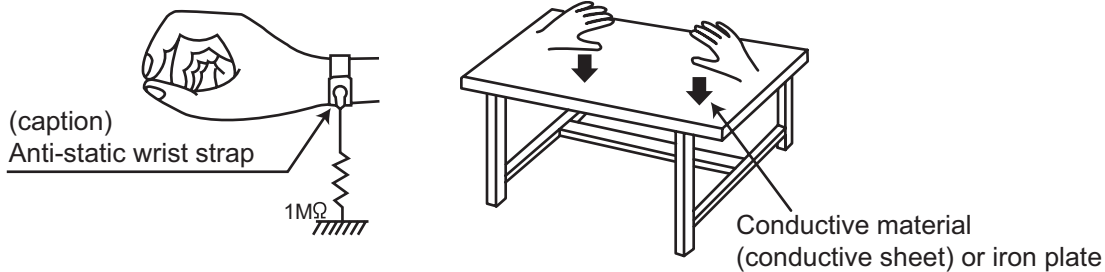
Be careful to use proper grounding in the area where repairs are being performed.

(1) Ground the workbench

Ground the workbench by laying conductive material (such as a conductive sheet) or an iron plate over it before placing the traverse unit (optical pickup) on it.

(2) Ground yourself

Use an anti-static wrist strap to release any static electricity built up in your body.



(3) Handling the optical pickup

- In order to maintain quality during transport and before installation, both sides of the laser diode on the replacement optical pickup are shorted. After replacement, return the shorted parts to their original condition. (Refer to the text.)
- Do not use a tester to check the condition of the laser diode in the optical pickup. The tester's internal power source can easily destroy the laser diode.

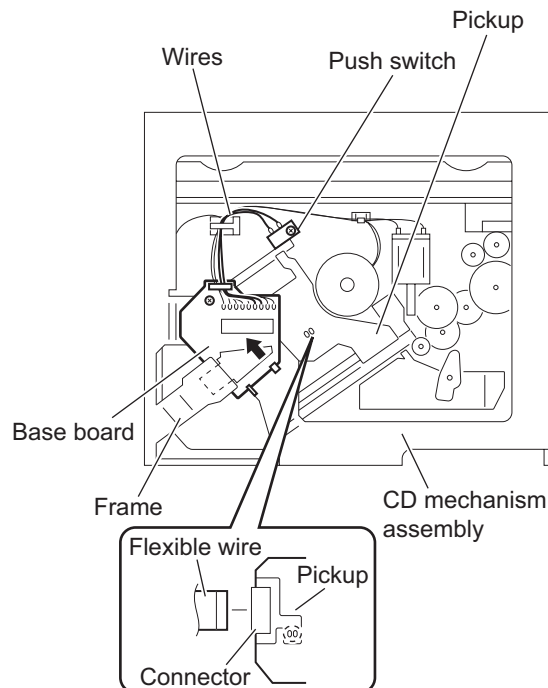
1.3 Handling the traverse unit (optical pickup)

- (1) Do not subject the traverse unit (optical pickup) to strong shocks, as it is a sensitive, complex unit.
- (2) Cut off the shorted part of the flexible cable using nippers, etc. after replacing the optical pickup. For specific details, refer to the replacement procedure in the text. Remove the anti-static pin when replacing the traverse unit. Be careful not to take too long a time when attaching it to the connector.
- (3) Handle the flexible cable carefully as it may break when subjected to strong force.
- (4) It is not possible to adjust the semi-fixed resistor that adjusts the laser power. Do not turn it.

1.4 Attention when traverse unit is decomposed

***Please refer to "Disassembly method" in the text for the pickup unit.**

- Apply solder to the short land before the card wire is disconnected from the connector on the pickup unit. (If the card wire is disconnected without applying solder, the pickup may be destroyed by static electricity.)
- In the assembly, be sure to remove solder from the short land after connecting the card wire.



1.5 Important for laser products

1. CLASS 1 LASER PRODUCT

2. CAUTION :

(For U.S.A.) Visible and/or invisible class II laser radiation when open. Do not stare into beam.
(Others) Visible and/or invisible class 1M laser radiation when open. Do not view directly with optical instruments.

3. CAUTION : Visible and/or invisible laser radiation when open and inter lock failed or defeated. Avoid direct exposure to beam.

4. CAUTION : This laser product uses visible and/or invisible laser radiation and is equipped with safety switches which prevent emission of radiation when the drawer is open and the safety interlocks have failed or are defeated. It is dangerous to defeat the safety switches.

(For U.S.A.)

CAUTION : Visible and/or invisible class II laser radiation when open. Do not stare into beam.

(Others)

CAUTION : Visible and/or invisible class 1M laser radiation when open. Do not view directly with optical instruments

ACHTUNG: Sichtbare und/oder unsichtbare Laserstrahlung der Klasse 1M bei offenen Abdeckungen. Nicht direkt mit optischen Instrumenten betrachten.

ATTENTION: Rayonnement laser visible et/ou invisible de classe 1M une fois ouvert. Ne pas regarder directement avec des instruments optiques.

VOORZICHTIG: Zichtbare en/of onzichtbare klasse 1M laserstralen indien geopend. Bekijk niet direct met optische instrumenten.

ATTENZIONE: Radiazione laser in classe 1M visibile e/o invisibile quando aperto. Non osservare direttamente con strumenti ottici.

WARNING: Synlig och/eller osynlig laserstrålning, klass 1M, när denna del är öppnad. Betrakta ej strålen med optiska instrument.

VARO! Avattaessa olet alttiina näkyvälle ja/tai näkymättömälle luokan 1M lasersäteilylle. Älä tarkastele sitä optisen laitteen läpi.

ADVARSEL: Synlig og/eller usynlig klasse 1M-laserstråling ved åbning. Se ikke direkte med optiske instrumenter.

AVISO: Radiación láser de clase 1M visible y/o invisible cuando está abierto. No mirar directamente con instrumental óptico.

PRECAUÇÃO: Radiação laser de classe 1M visível e/ou invisível quando aberto. Não olhe diretamente com instrumentos ópticos.

5. CAUTION : If safety switches malfunction, the laser is able to function.

6. CAUTION : Use of controls, adjustments or performance of procedures other than those specified here in may result in hazardous radiation exposure.

CAUTION Please use enough caution not to see the beam directly or touch it in case of an adjustment or operation check.

PRECAUÇÃO: Radiação laser de classe 1M visível e/ou invisível quando aberto. Não olhe diretamente com instrumentos ópticos.

ПРЕДУПРЕЖДЕНИЕ: В открытом состоянии происходит видимое и/или невидимое излучение лазера класса 1M. Не смотрите непосредственно в оптические инструменты.

UWAGA: Otwarcie spowoduje narażenie na widzialne i/lub niewidzialne promieniowanie lasera klasy 1M. Nie patrzeć bezpośrednio w przyrządy optyczne.

UPOZORNĚNÍ: Při otevření vydává viditelné popř. neviditelné laserové ozáření třídy 1M. Nedívejte se do otvoru přímo s optickými nástroji.

FIGYELMEZTETÉS: Látható és/vagy láthatatlan 1M osztályú sugárzás nyitott állapotban. Ne nézze közvetlenül optikai műszerekkel.

注意：打開蓋板可能會產生可見或不可見的 1M 級鐳射。不要使用光學儀器直接進行窺視。

注意：打开盖板可能会产生可见或不可见的 1M 级辐射。不要使用光学仪器直接进行窥视。

تنبيه: يوجد إشعاع ليزري مرئي و/أو غير مرئي من الفئة 1M عندما يكون الجهاز مفتوحاً. تجنب النظر مباشرة داخل الجهاز باستخدام أدوات بصرية.

احتياط: هنگامی که باز گردد، تشعشع مرئی و یا نامرئی کلاس 1M لیزر وجود دارد. با لوازم چشمی مستقیماً به آن نگاه نکنید.

주의: 개방하면 가지 및/또는 비가시 클래스 1M 레이저 방사선이 나옵니다. 광학 기구로 직접 들여다보지 마십시오.

REPRODUCTION AND POSITION OF LABELS and PRINT WARNING LABEL and PRINT



| | | | | | |
|--|--|---|---|---|--|
| CAUTION VISIBLE AND/OR INVISIBLE CLASS 1M LASER RADIATION WHEN OPEN. DO NOT VIEW DIRECTLY WITH OPTICAL INSTRUMENTS. IEC30025-1:2001 (ENG) | ATTENTION RAYONNEMENT LASER VISIBLE ET/OU INVISIBLE DE CLASSE 1M UNE FOIS OUVERT. NE PAS REGARDER DIRECTEMENT AVEC DES INSTRUMENTS OPTIQUES. (FRA) | AVISO RADIACIÓN LÁSER DE CLASE 1M VISIBLE Y/O INVISIBLE CUANDO ESTA ABIERTO. NO MIRAR DIRECTAMENTE CON INSTRUMENTAL ÓPTICO. (ESP) | WARNING SYNLIG OCH/ELLER OSYNLIG LASERSTRÅLNING, KLASS 1M, NÄR DENNA DEL ÄR ÖPPNAD. BETRAKTA EJ STRÅLEN MED OPTISKA INSTRUMENT. (SWE) | 注意 ここを覗くと可視 及び/または不可視 のクラス1M レーザー放射が 出ます。 光学装置で直接 覗かないでください。 (JPN) | CAUTION VISIBLE AND/OR INVISIBLE CLASS I LASER RADIATION WHEN OPEN. DO NOT STARE INTO BEAM. FDA 21 CFR (ENG) LV44803-003A |
|--|--|---|---|---|--|

SECTION 2
SPECIFIC SERVICE INSTRUCTIONS

This service manual does not describe SPECIFIC SERVICE INSTRUCTIONS.

SECTION 3 DISASSEMBLY

3.1 Main body

3.1.1 Removing the FRONT PANEL assembly (See Fig.1)

- (1) From the bottom side of main body, remove the two screws **A** attaching the both side of the FRONT PANEL assembly.
- (2) Disengage two hooks **a** engaged CHASSIS assembly.

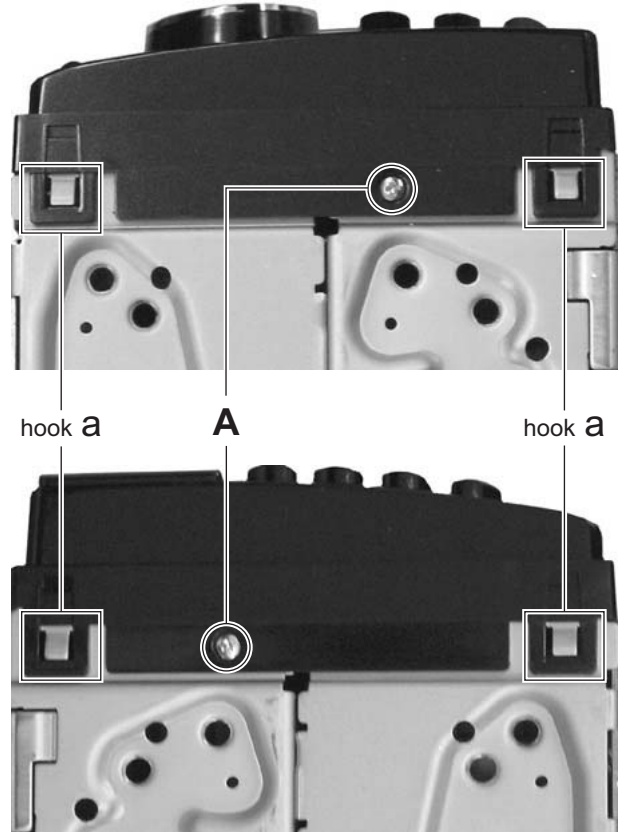


Fig.1

3.1.2 Removing the HEAT SINK (See Fig.2)

- (1) Remove the five screws **B** and one screw **C** attaching the HEAT SINK.

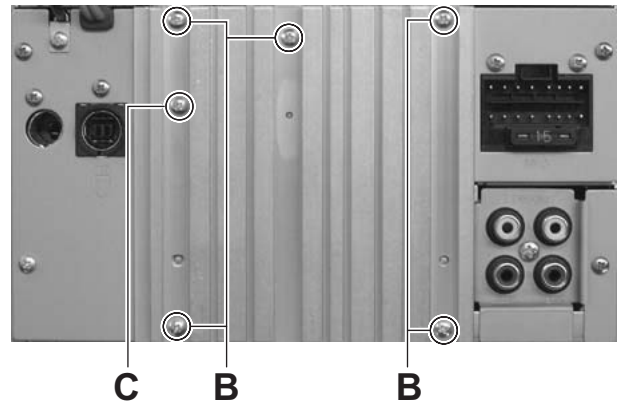


Fig.2

3.1.3 Removing the REAR BRACKET (See Fig.3)

- (1) Remove the seven screws **D**, two screws **E** and one screw **F** attaching the REAR BRACKET.

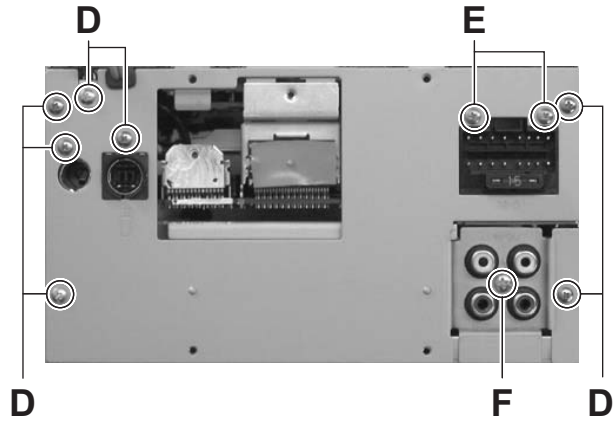


Fig.3

3.1.4 Removing the BOTTOM CHASSIS assembly (See Fig.4)

- (1) Remove the four screws **G** attaching the BOTTOM CHASSIS assembly.



Fig.4

3.1.5 Removing the FUNC BOARD assembly (See Fig.5)

- (1) Remove the one screw **H** attaching the FUNC BOARD assembly.
- (2) Disconnect the connector wire from MAIN BOARD assembly connected to connector [CN322](#) of the FUNC BOARD assembly.
- (3) Straighten hook **b** attaching the FUNC BOARD assembly.

3.1.6 Removing the MIDDLE CHASSIS (See Fig.5)

- (1) Remove the four screws **J** attaching the MIDDLE CHASSIS.
- (2) Disconnect the connector [CN501](#) of the main board on the MIDDLE CHASSIS from the CD mechanism assembly in an upward direction.

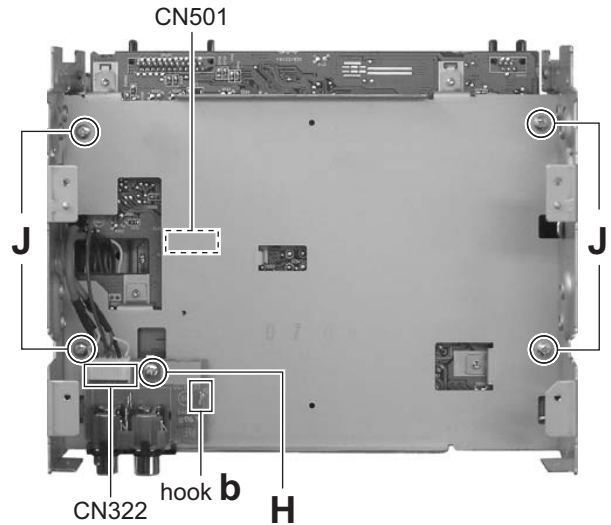


Fig.5

3.1.7 Removing the MAIN BOARD assembly (See Fig.6)

- (1) Remove the four screws **K** attaching the MAIN BOARD assembly.

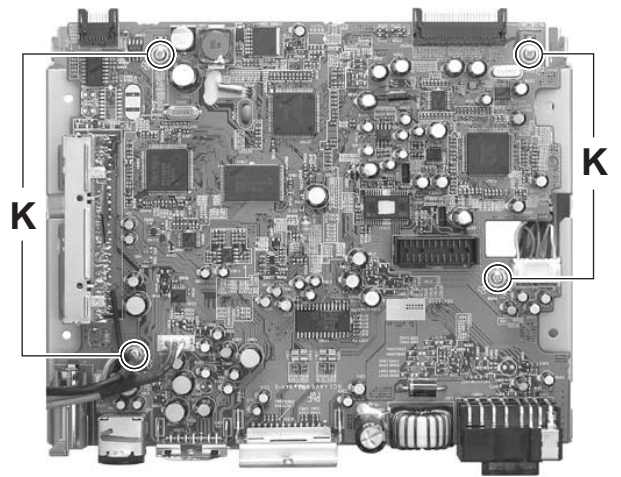


Fig.6

3.1.8 Removing the CD MECHANISM assembly (See Fig.7)

- (1) Remove the three screws **L** attaching the CD MECHANISM assembly.

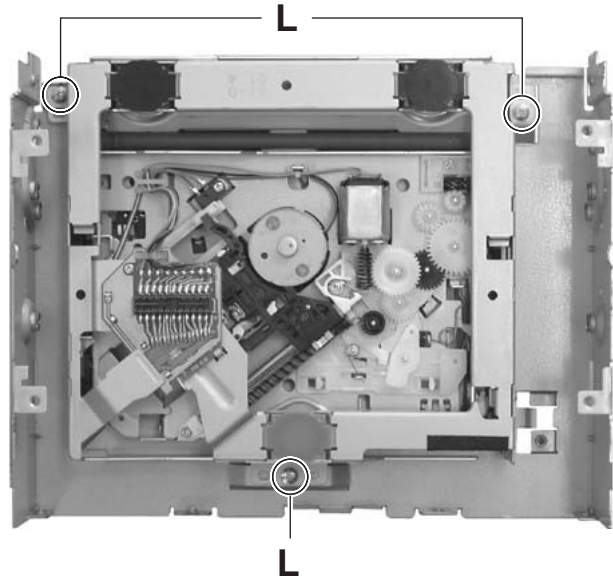


Fig.7

3.1.9 Removing the SWITCH BOARD assembly (See Fig.8)

- (1) Remove the volume knob from the front side of the FRONT PANEL assembly.
- (2) Remove the thirteen screws **M** and two screws **N** attaching the SWITCH BOARD assembly.

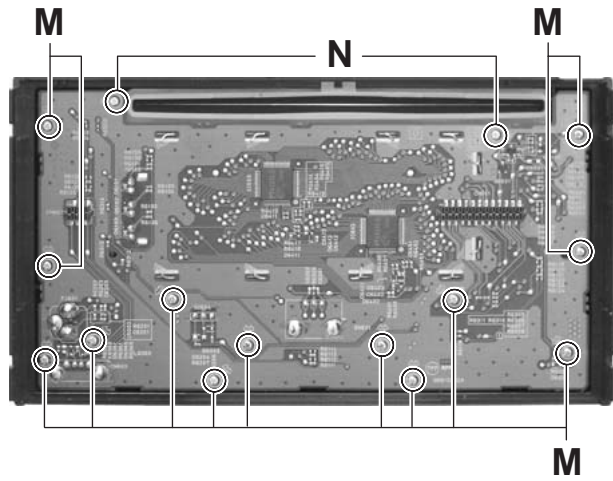


Fig.8

3.2 CD mechanism assembly

For CD mechanism, please refer the MECHANISM MANUAL TN2007-1010 ([No.MY005](#) and [No.MY005B](#)).

SECTION 4 ADJUSTMENT

4.1 Adjustment method

4.1.1 Test instruments required for adjustment

- (1) Digital oscilloscope (100MHz)
- (2) Electric voltmeter
- (3) Digital tester
- (4) Tracking offset meter
- (5) Test Disc JVC :CTS-1000
- (6) Extension cable for check
EXTSH002-22P × 1

4.1.2 Standard measuring conditions

Power supply voltage : DC14.4V(11 to 16V)
Load impedance : 20K.(2 Speakers connection)
Output Level : Line out 2.5V (Vol. MAX)

4.1.3 Standard volume position

Balance and Bass & Treble volume : Indication "0"
Loudness : OFF

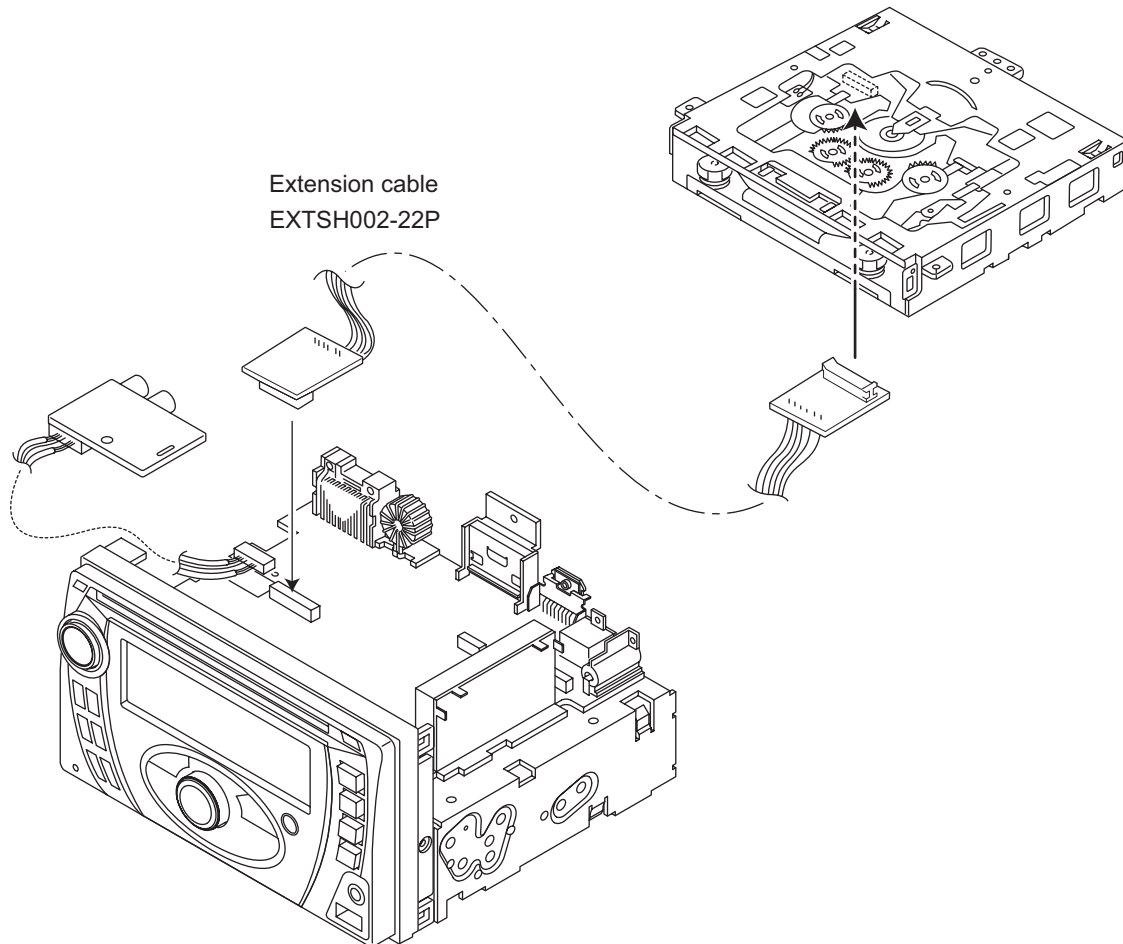
4.1.4 Dummy load

Exclusive dummy load should be used for AM, and FM. For FM dummy load, there is a loss of 6dB between SSG output and antenna input. The loss of 6dB need not be considered since direct reading of figures are applied in this working standard.

4.1.5 How to connect the extension cable for adjusting

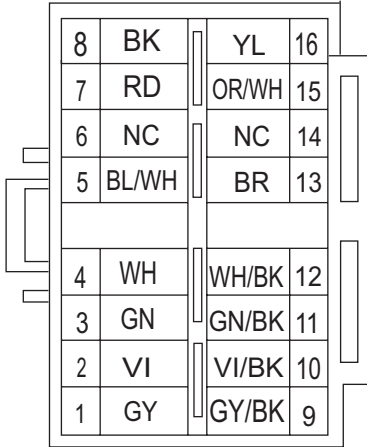
Caution:

Be sure to attach the heat sink and rear bracket onto the power amplifier IC and regulator IC respectively, before supply the power. If voltage is applied without attaching these parts, the power amplifier IC and regulator IC will be destroyed by heat.

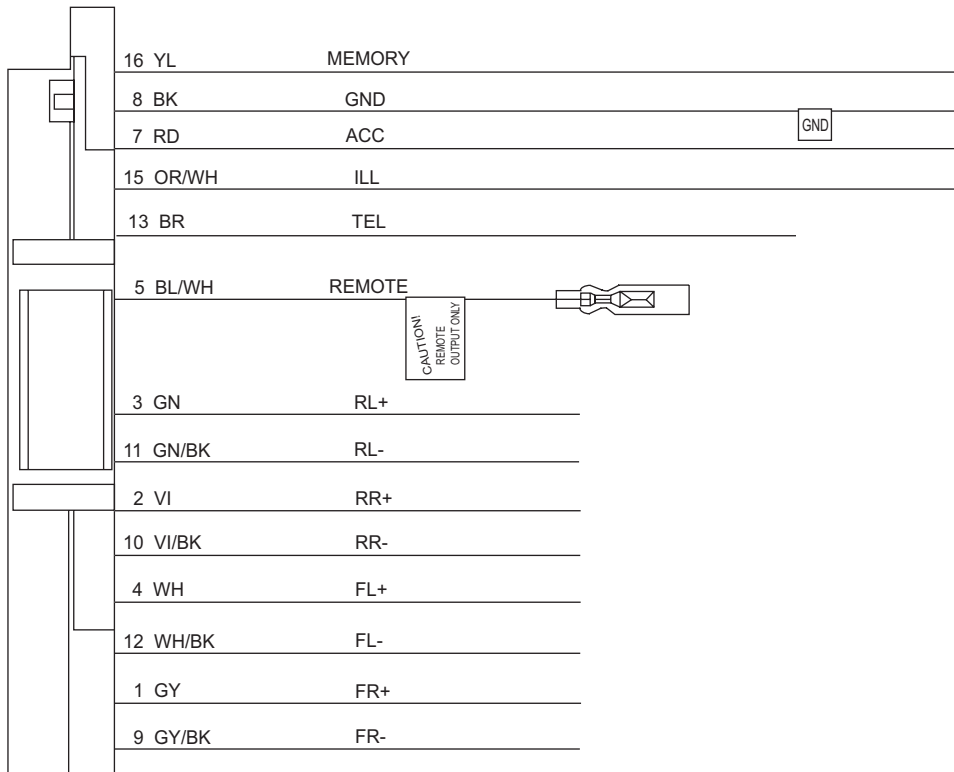


SECTION 5 TROUBLESHOOTING

5.1 16 PIN CORD DIAGRAM (for KW-XG700)

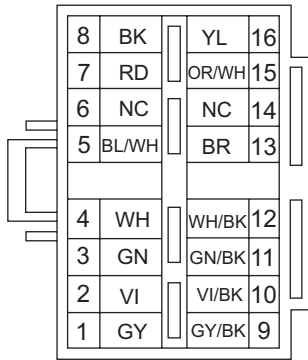


| | | | |
|----|-------|----|--------|
| BK | Black | GN | Green |
| RD | Red | VI | Violet |
| BL | Blue | GY | Gray |
| WH | White | YL | Yellow |
| BR | Brown | OR | Orange |

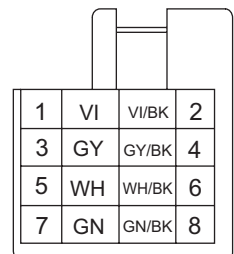
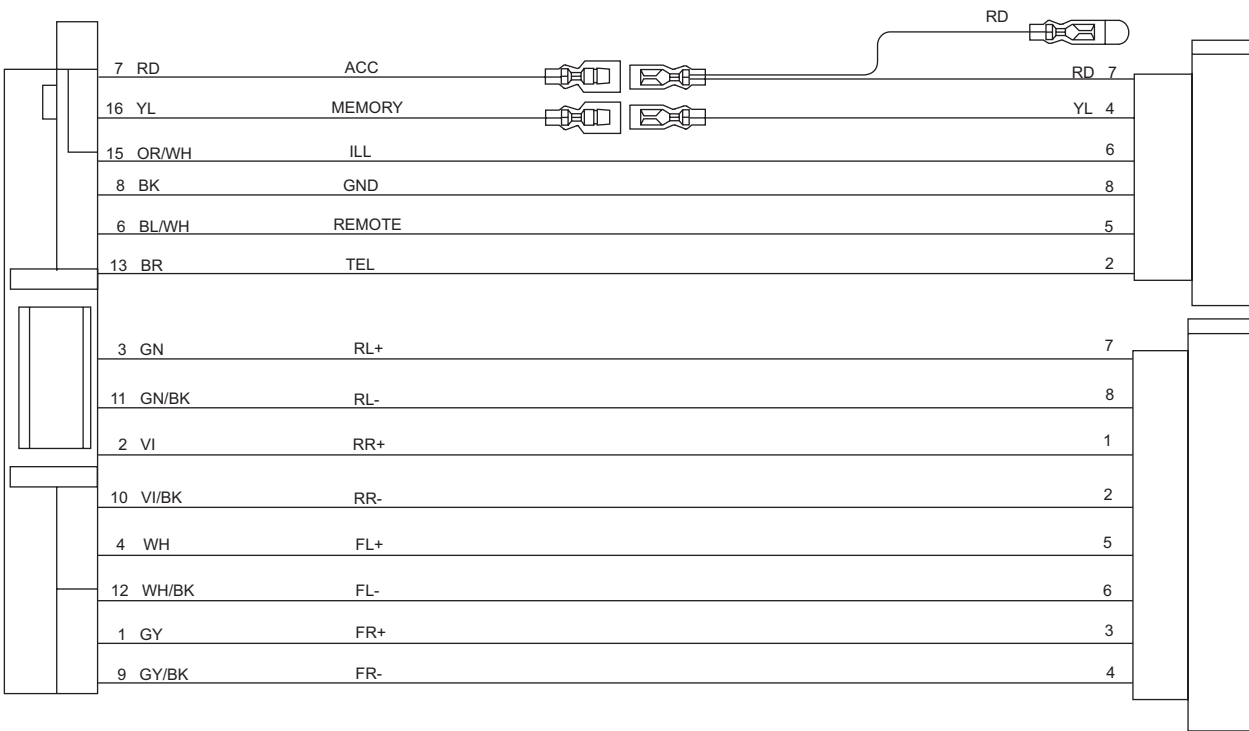
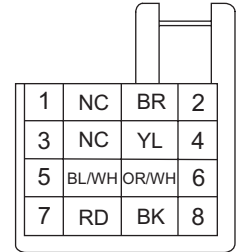


| | | | |
|-----|------------------|--------|-------------------------|
| RR | Rear Right | REMOTE | Remote out |
| FR | Front Right | ACC | ACC Line |
| FL | Front Left | MEMORY | Memory Backup Battery + |
| RL | Rear Left | GND | Ground |
| TEL | Telephone muting | ILL | Illuminations Control |

5.2 16 PIN CORD DIAGRAM (for KW-XG701, KW-XG707)

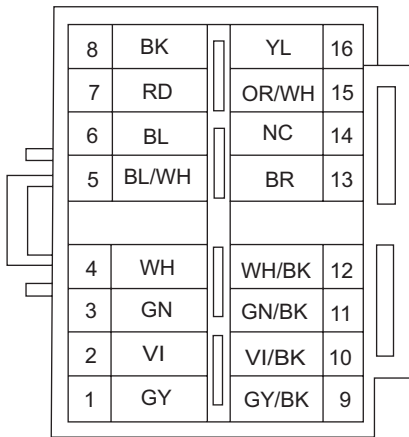


| | | | |
|----|-------|----|--------|
| BK | Black | GN | Green |
| RD | Red | VI | Violet |
| BL | Blue | GY | Gray |
| WH | White | YL | Yellow |
| BR | Brown | OR | Orange |

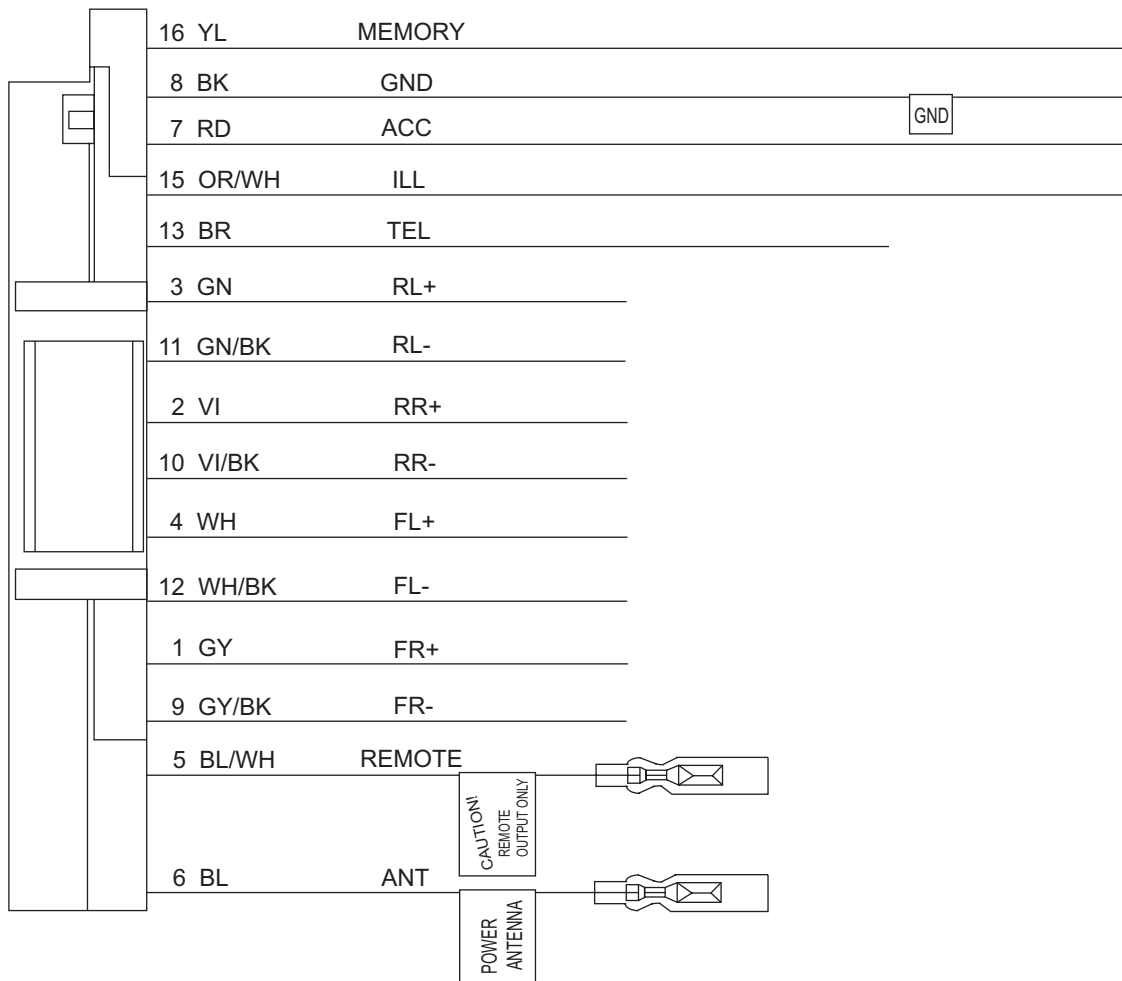


| | | | |
|--------|-----------------------|--------|------------------------|
| RR | Rear Right | ANT | Auto Antenna |
| FR | Front Right | ACC | ACC Line |
| FL | Front Left | TEL | Telephone Muting |
| RL | Rear Left | GND | Ground |
| REMOTE | Remote | MEMORY | Memory Backup Battery+ |
| ILL | Illuminations Control | | |

5.3 16 PIN CORD DIAGRAM (for KW-XG-704, KW-XG705, KW-XG706)

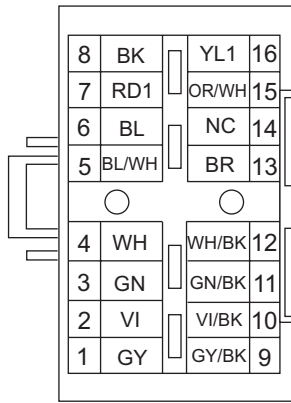


| | | | |
|----|-------|----|--------|
| BK | Black | GN | Green |
| RD | Red | VI | Violet |
| BL | Blue | GY | Gray |
| WH | White | YL | Yellow |
| BR | Brown | OR | Orange |

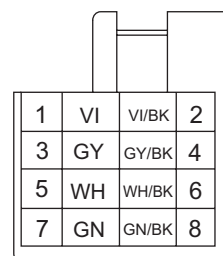
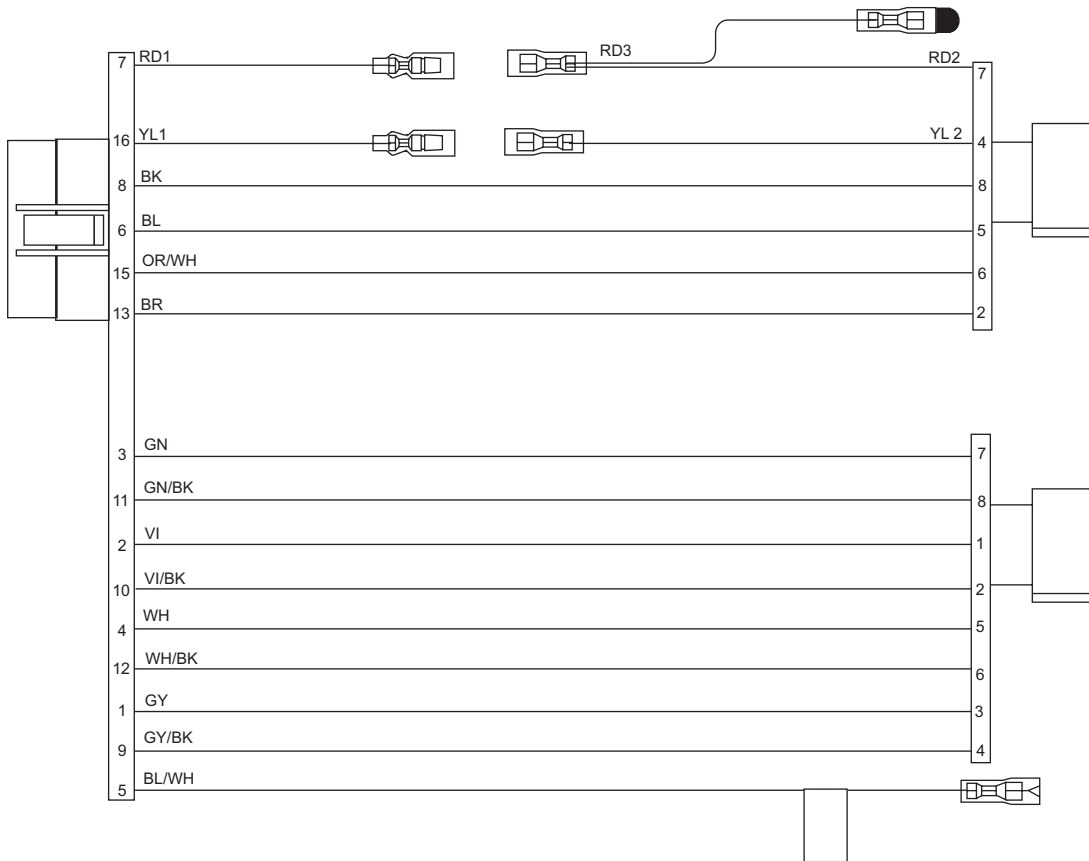
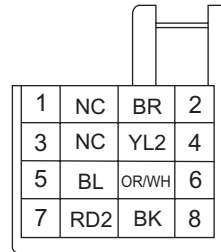


| | | | |
|--------|------------------|--------|------------------------|
| RR | Rear Right | ANT | Auto Antenna |
| FR | Front Right | ACC | ACC Line |
| FL | Front Left | ILL | Illuminations Control |
| RL | Rear Left | GND | Ground |
| REMOTE | Remote out | MEMORY | Memory Backup Battery+ |
| TEL | Telephone muting | | |

5.4 16 PIN CORD DIAGRAM (for KW-XG708)



| | | | |
|----|-------|----|--------|
| BK | Black | GN | Green |
| RD | Red | VI | Violet |
| BL | Blue | GY | Gray |
| WH | White | YL | Yellow |
| BR | Brown | OR | Orange |





JVC

Victor company of Japan, Limited
Mobile Entertainment Business Group Mobile Entertainment Category 10-1,1chome,Ohwatari-machi,Maebashi-city,371-8543,Japan

(No.MA346)



Printed in Japan
VPT

PARTS LIST

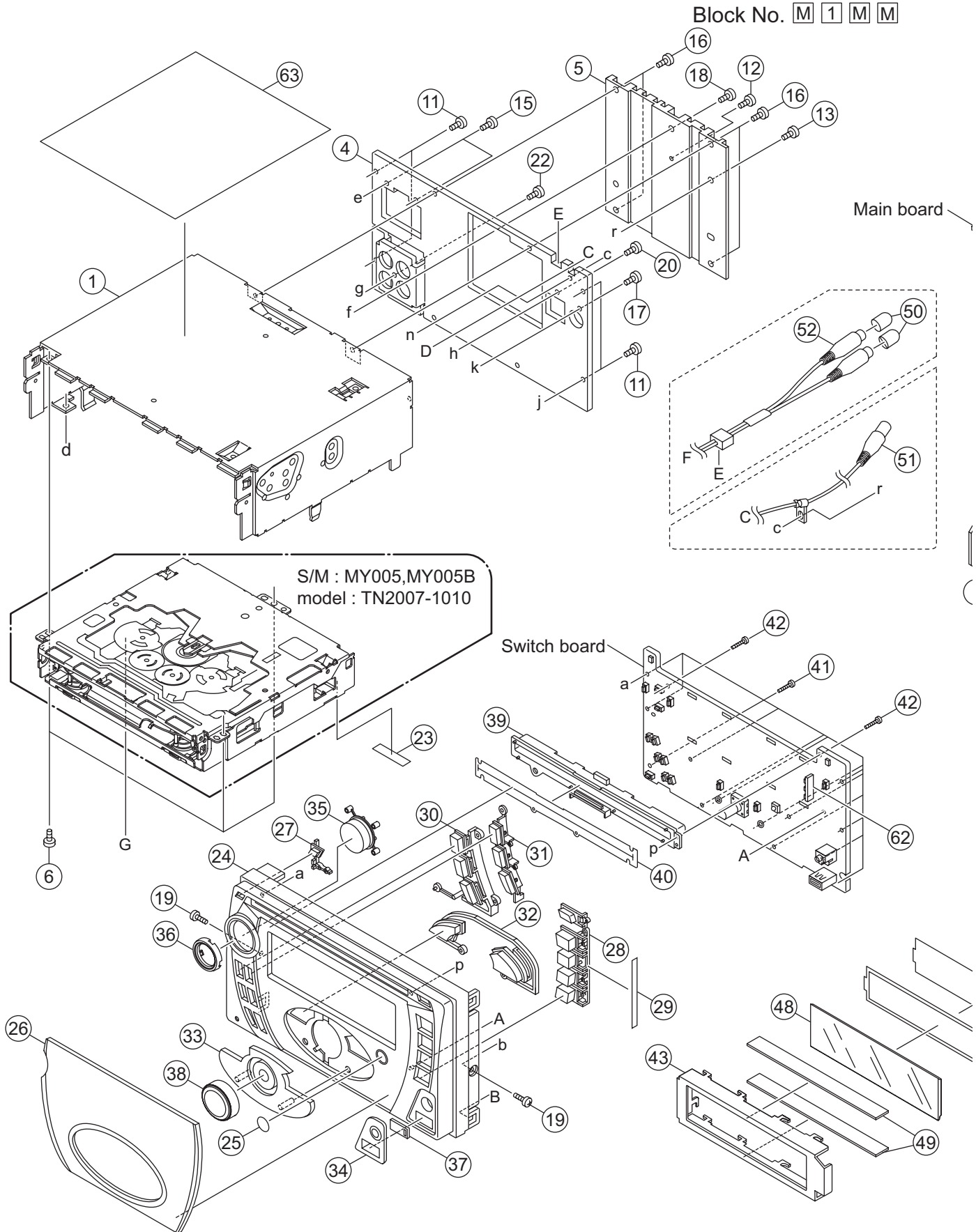
KW-XG700J,KW-XG701E,KW-XG701EX
KW-XG701EY,KW-XG701EU,KW-XG704UI
KW-XG705U,KW-XG705UN,KW-XG705UH
KW-XG706U,KW-XG706UN,KW-XG706UH
KW-XG707EE,KW-XG708UF

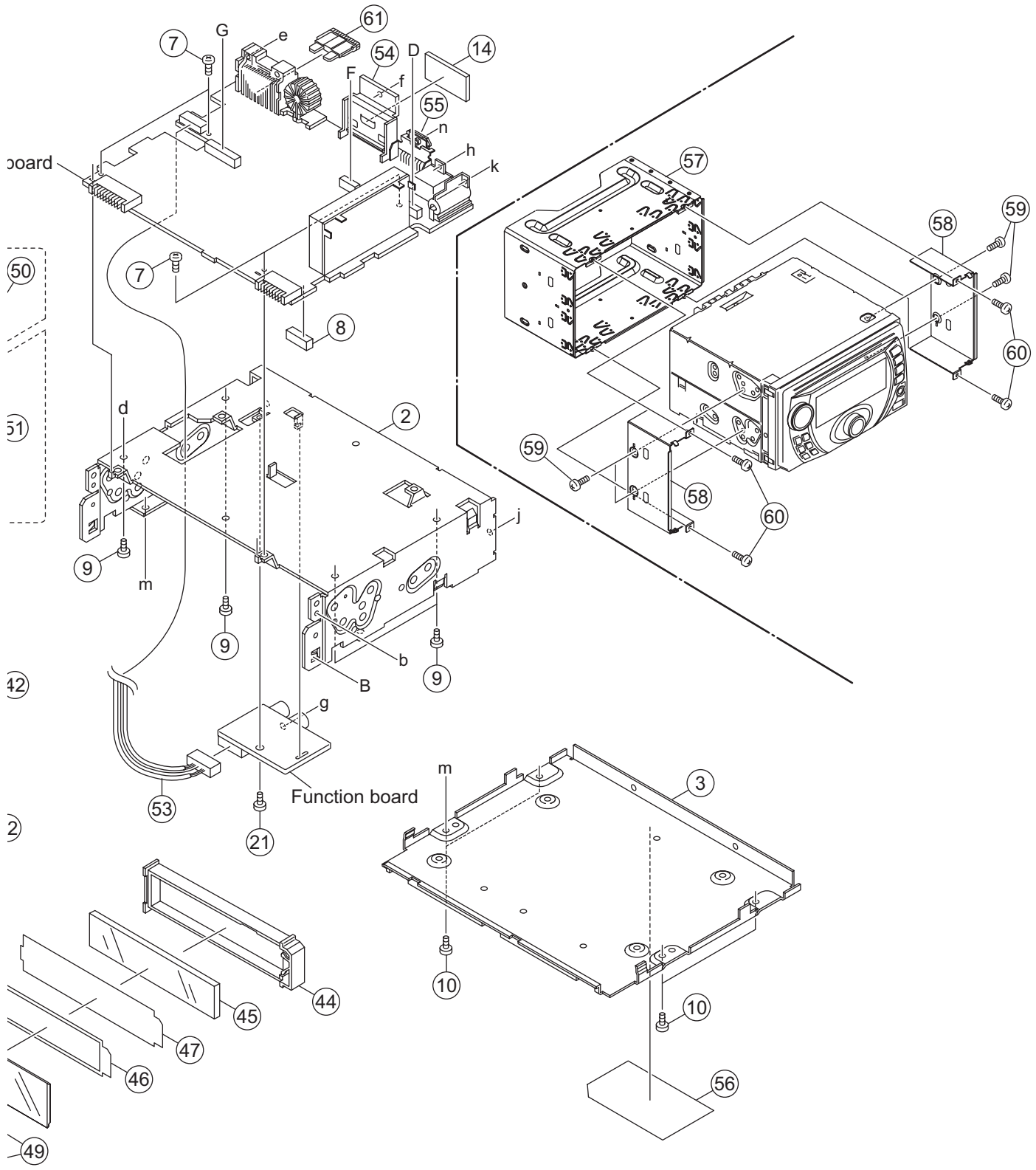
- * All printed circuit boards and its assemblies are not available as service parts.
- * Please refer to the mechanism manual (model TN2007-1010, No.MY005,MY005B) for the CD mechanism.

- Contents -

| | |
|--|------|
| Exploded view of general assembly and parts list (Block No.M1) | 3- 2 |
| Electrical parts list (Block No.01~04) | 3- 6 |
| Packing materials and accessories parts list (Block No.M3) | 3-18 |

Exploded view of general assembly and parts list





The parts without symbol number are not service.

General Assembly

Block No. [M][1][M][M]

| △ | Symbol No. | Part No. | Part Name | Description | Local |
|---|------------|--------------|-----------------|----------------|--|
| | 1 | GE10170-001A | TOP CHASSIS | | |
| | 2 | LV10864-002A | MIDDLE CHASSIS | | |
| | 3 | LV10865-002A | BOTTOM CHASSIS | | |
| | 4 | GE31799-003A | REAR BRACKET | | |
| | 5 | LV34655-002A | HEAT SINK | | |
| | 6 | QYSDST2604ZA | TAP SCREW | M2.6 x 4mm(x3) | |
| | 7 | GE40377-002A | SCREW | (x4) | |
| | 8 | GE40218-074A | SHEET | | |
| | 9 | QYSDST2606ZA | TAP SCREW | M2.6 x 6mm(x4) | |
| | 10 | QYSDST2606ZA | TAP SCREW | M2.6 x 6mm(x4) | |
| | 11 | QYSDST2606ZA | TAP SCREW | M2.6 x 6mm(x4) | |
| | 12 | QYSDST2606ZA | TAP SCREW | M2.6 x 6mm | |
| | 13 | GE40377-001A | SCREW | | |
| | 14 | LV43693-001A | COOLING RUBBER | | |
| | 15 | QYSDSF2606ZA | TAP SCREW | M2.6 x 6mm(x2) | |
| | 16 | QYSDST2606ZA | TAP SCREW | M2.6 x 6mm(x4) | |
| | 17 | QYSDST2606ZA | TAP SCREW | M2.6 x 6mm | |
| | 18 | QYSDST2606ZA | TAP SCREW | M2.6 x 6mm | |
| | 19 | QYSDST2004ZA | TAP SCREW | M2 x 4mm(x2) | |
| | 20 | QYSDST2606ZA | TAP SCREW | M2.6 x 6mm | 700J,701E,701EX,701EY,701EU |
| | 21 | QYSDST2606ZA | TAP SCREW | M2.6 x 6mm | |
| | 22 | QYSDSF3006ZA | TAP SCREW | M3 x 6mm | |
| | 23 | FSYH4036-100 | SHEET | | |
| | 24 | GE10165-001A | FRONT PANEL | | 700J,706U,706UN,706UH,708UF |
| | 24 | GE10165-003A | FRONT PANEL | | 701E,701EX,701EY,701EU,707EE |
| | 24 | GE10165-002A | FRONT PANEL | | 704UI,705U,705UN,705UH |
| | 25 | GE40218-072A | SHEET | | |
| | 26 | GE32787-001A | FINDER ASSY | | 700J |
| | 26 | GE32787-003A | FINDER ASSY | | 701E,701EX,701EY,701EU |
| | 26 | GE32787-005A | FINDER ASSY | | 704UI |
| | 26 | GE32787-004A | FINDER ASSY | | 705U,705UN,705UH |
| | 26 | GE32787-007A | FINDER ASSY | | 706U,706UN,706UH |
| | 26 | GE32787-006A | FINDER ASSY | | 707EE |
| | 26 | GE32787-009A | FINDER ASSY | | 708UF |
| | 27 | GE40384-001A | POWER BUTTON | | 700J,701E,701EX,701EY,701EU,706U, 706UN,706UH,707EE,708UF |
| | 27 | GE40384-002A | POWER BUTTON | | 704UI,705U,705UN,705UH |
| | 28 | GE20220-001A | D FUNCTION BTN | | 700J,706U,706UN,706UH,708UF |
| | 28 | GE20220-003A | D FUNCTION BTN | | 701E,701EX,701EY,701EU,707EE |
| | 28 | GE20220-002A | D FUNCTION BTN | | 704UI,705U,705UN,705UH |
| | 29 | GE40218-078A | SHEET | | |
| | 30 | GE32727-002A | PRESET BUTTON L | | 700J,701E,701EX,701EY,701EU,706U, 706UN,706UH,707EE,708UF |
| | 30 | GE32727-001A | PRESET BUTTON L | | 704UI,705U,705UN,705UH |
| | 31 | GE32728-002A | PRESET BUTTON R | | 700J,701E,701EX,701EY,701EU,706U, 706UN,706UH,707EE,708UF |
| | 31 | GE32728-001A | PRESET BUTTON R | | 704UI,705U,705UN,705UH |
| | 32 | GE32730-001A | SEL EQ BUTTON | | |
| | 33 | GE20223-002A | VOLKNOB COVER | | |
| | 34 | GE32731-001A | USB COVER | | 700J,701E,701EX,701EY,701EU,706U, 706UN,706UH,707EE,708UF |
| | 34 | GE32731-002A | USB COVER | | 704UI,705U,705UN,705UH |
| | 35 | GE32732-001A | NAVI BUTTON | | 700J,701E,701EX,701EY,701EU,706U, 706UN,706UH,707EE,708UF |
| | 35 | GE32732-002A | NAVI BUTTON | | 704UI,705U,705UN,705UH |
| | 36 | GE32729-002A | RIM COVER | | |
| | 37 | GE40385-001A | USB DOOR | | 700J,701E,701EX,701EY,701EU,706U, 706UN,706UH,707EE,708UF |
| | 37 | GE40385-002A | USB DOOR | | 704UI,705U,705UN,705UH |
| | 38 | GE40314-006A | VOL KNOB ASSY | | |
| | 39 | GE20221-001A | DISC GUIDE | | |
| | 40 | LV34709-001A | BLIND | | |
| | 41 | VKZ4777-010 | MINI SCREW | (x13) | |
| | 42 | VKZ4777-008 | SCREW | (x2) | |
| | 43 | GE20222-002A | LCD CASE | | |
| | 44 | GE32725-001A | LENS CASE | | |
| | 45 | GE32726-001A | LCD LENS | | |
| | 46 | GE40386-001A | LIGHTING SHEET | | |
| | 47 | GE40386-002A | LIGHTING SHEET | | 701E,701EX,701EY,701EU,704UI,705U, 705UN,705UH,706U,706UN,706UH, 707EE,708UF |
| | 48 | QLD0484-001 | LCD MODULE | | 700J |
| | 48 | QLD0485-001 | LCD MODULE | | 701E,701EX,701EY,701EU,704UI,705U, 705UN,705UH,706U,706UN,706UH, 707EE,708UF |

| △ | Symbol No. | Part No. | Part Name | Description | Local |
|---|------------|----------------|-----------------|----------------|------------------------------|
| | 49 | QNZ0932-001 | RUBBER CONNECTO | (x2) | |
| | 50 | VYTA500-001 | PIN CAP | (x2) | |
| | 51 | QAM0991-001 | STEERING REMOTE | | 700J,701E,701EX,701EY,701EU |
| | 52 | QAM1008-001 | S.WOOFER CABLE | | |
| | 53 | WJN0193-001A-E | E-SH C WIRE C-C | | |
| | 54 | LV34650-001A | IC BKT | | |
| | 55 | GE40364-001A | REG IC BKT | | |
| | 56 | GE32742-001A | NAME PLATE | | 700J |
| | 56 | GE32760-001A | NAME PLATE | | 701E,701EX,701EY,701EU |
| | 56 | GE32754-001A | NAME PLATE | | 704UI |
| | 56 | GE32745-001A | NAME PLATE | | 705U,705UN,705UH |
| | 56 | GE32748-001A | NAME PLATE | | 706U,706UN,706UH |
| | 56 | GE32763-002A | NAME PLATE | | 707EE |
| | 56 | GE32757-001A | NAME PLATE | | 708UF |
| | 57 | LV22425-006A | SLEEVE ASSY | | 701E,701EX,701EY,701EU,707EE |
| | 58 | LV37151-003A | SUPPORT BKT | (x2) | 701E,701EX,701EY,701EU,707EE |
| | 59 | QYSSSP5008ZA | SCREW | M5 x 8mm(x4) | 701E,701EX,701EY,701EU,707EE |
| | 60 | QYSDST2604ZA | TAP SCREW | M2.6 x 4mm(x4) | 701E,701EX,701EY,701EU,707EE |
| △ | 61 | QMFZ047-150-T | FUUSE | 15A | |
| | 62 | GE32724-001A | LED HOLDER | | 700J |
| | 63 | GE40402-001A | TOP SHEET | | 708UF |

Electrical parts list

Main board

| Block No. [0][1] | | | | | Symbol No. | Part No. | Part Name | Description | Local |
|------------------|-------|------------------|-----------------|--|------------|----------|-----------|-------------|-----------------------------------|
| △ | IC71 | LC72725KM-X | IC | 701E,701EX,701EY,701EU,707EE | | | | | |
| | IC161 | TDA7419N-X | IC | | | | | | |
| | IC181 | CD4066BPW-X | IC | | | | | | |
| △ | IC301 | TB2926HQ | IC | | | | | | |
| △ | IC501 | LA6242H-X | IC | | | | | | |
| | IC502 | TC74VHC04FT-X | IC | | | | | | |
| | IC503 | PCM1780-X | IC | | | | | | |
| △ | IC541 | TC94A70FG-005A | IC | | | | | | |
| | IC561 | SN74CBT3245AP-X | IC | | | | | | |
| | IC571 | NJU7772F15-X | IC | | | | | | |
| | IC581 | NJM4580E-X | IC | | | | | | |
| △ | IC601 | TCC8600 | IC | | | | | | |
| | IC641 | SA16D90TFI011B | IC (PROGRAMED) | | | | | | |
| | IC642 | K4S641632K-UC75 | IC | | | | | | |
| | IC651 | AK4385ET-X | IC | | | | | | |
| | IC652 | NJM4565E-X | IC | | | | | | |
| | IC681 | 74LVC2G07GV-X | IC | | | | | | |
| | IC682 | TC7SET08F-X | IC | | | | | | |
| | IC683 | BD9781HFP-W | IC | | | | | | |
| | IC691 | BD6516F-X | IC | | | | | | |
| | IC692 | BH18LB1WG-W | IC | | | | | | |
| △ | IC701 | UPD78F1167GC4J | IC(PROGRAMED) | 700J,704UI,705U,705UN,705UH,706U,706UH,708UF | | | | | |
| | IC701 | UPD78F1167GC1K | IC(PROGRAMED) | 701E,701EX,701EY,701EU,707EE | | | | | 700J,701E,701EX,701EY,701EU |
| | IC702 | S-80833CANNB-G-W | IC | | | | | | |
| | IC702 | or IC-PST3433U-X | IC | | | | | | |
| | IC771 | S-24CS16A0I-G-X | IC | 701E,701EX,701EY,701EU,707EE | | | | | 700J,701E,701EX,701EY,701EU |
| | IC801 | HD74HC126FP-X | IC | | | | | | |
| △ | IC901 | R2S25401DS-E | IC | | | | | | |
| | Q1 | RT1N141C-X | DIGI TRANSISTOR | | | | | | |
| | Q1 | or UN2211-X | TRANSISTOR | | | | | | |
| | Q181 | RT1N141C-X | DIGI TRANSISTOR | | | | | | |
| | Q181 | or UN2211-X | TRANSISTOR | | | | | | |
| | Q182 | RT1N141C-X | DIGI TRANSISTOR | | | | | | |
| | Q182 | or UN2211-X | TRANSISTOR | | | | | | |
| | Q261 | RT1P141C-X | DIGI TRANSISTOR | | | | | | |
| | Q261 | or UN2111-X | TRANSISTOR | | | | | | |
| | Q262 | KTD1304-X | TRANSISTOR | | | | | | |
| | Q502 | 2SA1705/ST/-T | TRANSISTOR | | | | | | |
| | Q571 | 2SA1708/ST/-T | TRANSISTOR | | | | | | |
| | Q581 | 2SA1365/F/-X | TRANSISTOR | | | | | | |
| | Q582 | RT1N141C-X | DIGI TRANSISTOR | | | | | | |
| | Q582 | or UN2211-X | TRANSISTOR | | | | | | |
| | Q601 | RT1N141C-X | DIGI TRANSISTOR | | | | | | |
| | Q601 | or UN2211-X | TRANSISTOR | | | | | | |
| | Q781 | RT1P141C-X | DIGI TRANSISTOR | | | | | | |
| | Q781 | or UN2111-X | TRANSISTOR | | | | | | |
| | Q782 | RT6N430C-X | TRANSISTOR | | | | | | |
| | Q784 | RT1P141C-X | DIGI TRANSISTOR | | | | | | |
| | Q784 | or UN2111-X | TRANSISTOR | | | | | | |
| | Q881 | RT1N141C-X | DIGI TRANSISTOR | | | | | | |
| | Q881 | or UN2211-X | TRANSISTOR | | | | | | |
| | Q891 | RT1N141C-X | DIGI TRANSISTOR | | | | | | |
| | Q891 | or UN2211-X | TRANSISTOR | | | | | | |
| | Q933 | 2SA1365/F/-X | TRANSISTOR | | | | | | |
| | Q934 | RT1N141C-X | DIGI TRANSISTOR | | | | | | |
| | Q934 | or UN2211-X | TRANSISTOR | | | | | | |
| | Q976 | RT1N141C-X | DIGI TRANSISTOR | | | | | | |
| | Q976 | or UN2211-X | TRANSISTOR | | | | | | |
| | Q977 | 2SA1530A/QR/-X | TRANSISTOR | | | | | | |
| | Q977 | or 2SB709A/QR/-X | TRANSISTOR | | | | | | |
| | Q5001 | 2SA1705/ST/-T | TRANSISTOR | | | | | | |
| | Q5002 | RT1N141C-X | DIGI TRANSISTOR | | | | | | |
| | Q5002 | or UN2211-X | TRANSISTOR | | | | | | |
| | Q5003 | RT1N141C-X | DIGI TRANSISTOR | | | | | | |
| | Q5003 | or UN2211-X | TRANSISTOR | | | | | | |
| | D1 | 1SS355W-X | DIODE | | | | | | |
| | D1 | or MA111-X | SI DIODE | | | | | | |
| | D2 | 1SS355W-X | DIODE | | | | | | |
| | D2 | or MA111-X | SI DIODE | | | | | | |
| | D261 | 1SS355W-X | DIODE | | | | | | |
| | D261 | or MA111-X | SI DIODE | | | | | | |
| | D262 | 1SS355W-X | DIODE | | | | | | |
| | D262 | or MA111-X | SI DIODE | | | | | | |
| | D501 | 1A3G-T1 | SI DIODE | | | | | | |
| | D502 | 1SS355W-X | DIODE | | | | | | |
| | D502 | or MA111-X | SI DIODE | | | | | | |
| | D503 | 1SS355W-X | DIODE | | | | | | |
| | D503 | or MA111-X | SI DIODE | | | | | | |
| | D681 | RB051L-40-X | SB DIODE | | | | | | |
| | D682 | UDZW5.1B-X | SB DIODE | | | | | | |
| | D682 | or MA8051/M/-X | Z DIODE | | | | | | |
| | D713 | UDZW6.2B-X | Z DIODE | | | | | | |
| | D713 | or MA8062/M/-X | Z DIODE | | | | | | |
| | D714 | UDZW6.2B-X | Z DIODE | | | | | | |
| | D714 | or MA8062/M/-X | Z DIODE | | | | | | |
| | D715 | UDZW6.2B-X | Z DIODE | | | | | | |
| | D715 | or MA8062/M/-X | Z DIODE | | | | | | |
| | D716 | UDZW6.2B-X | Z DIODE | | | | | | |
| | D716 | or MA8062/M/-X | Z DIODE | | | | | | |
| | D719 | UDZW6.2B-X | Z DIODE | | | | | | 700J,701E,701EX,701EY,701EU |
| | D719 | or MA8062/M/-X | Z DIODE | | | | | | 700J,701E,701EX,701EY,701EU |
| | D720 | 1SS355W-X | DIODE | | | | | | |
| | D720 | or MA111-X | SI DIODE | | | | | | |
| | D781 | 1SS355W-X | DIODE | | | | | | |
| | D781 | or MA111-X | SI DIODE | | | | | | |
| | D782 | 1SS355W-X | DIODE | | | | | | |
| | D782 | or MA111-X | SI DIODE | | | | | | |
| | D783 | 1SS355W-X | DIODE | | | | | | |
| | D783 | or MA111-X | SI DIODE | | | | | | |
| | D784 | UDZW9.1B-X | Z DIODE | | | | | | |
| | D784 | or MA8091/M/-X | Z DIODE | | | | | | |
| | D851 | MA22D23-X | SB DIODE | | | | | | 704UI,705U,705UH,706U,706UH,708UF |
| | D851 | or CRS03-W | SB DIODE | | | | | | 704UI,705U,705UH,706U,706UH,708UF |
| | D851 | or RB160M-30-X | SB DIODE | | | | | | 704UI,705U,705UH,706U,706UH,708UF |
| | D852 | MA22D23-X | SB DIODE | | | | | | 704UI,705U,705UH,706U,706UH,708UF |
| | D852 | or CRS03-W | SB DIODE | | | | | | 704UI,705U,705UH,706U,706UH,708UF |

| △ Symbol No. | Part No. | Part Name | Description | Local | △ Symbol No. | Part No. | Part Name | Description | Local |
|--------------|-----------------|-------------|---------------|--|--------------|--------------|--------------|---------------|--|
| D852 | or RB160M-30-X | SB DIODE | | 704UI,705U,705UH,706U,706UN,706UH,708UF | C167 | NCB31HK-472X | C CAPACITOR | 4700pF 50V K | |
| D891 | 1SS355W-X | DIODE | | | C168 | QTE1A57-107Z | E CAPACITOR | 100uF 10V | |
| D891 | or MA111-X | SI DIODE | | | C171 | QTE1H57-105Z | E CAPACITOR | 1uF 50V | |
| D892 | 1SS355W-X | DIODE | | | C172 | QTE1H54-225Z | E CAPACITOR | 2.2uF 50V | 700J,704UI,705U,705UN,705UH,706U,706UH,708UF |
| D892 | or MA111-X | SI DIODE | | | | | | | |
| △ D901 | 1N5401-F64 | SI DIODE | | | C172 | QTE1H55-225Z | E CAPACITOR | 2.2uF 50V | 701E,701EX,701EU,707EE |
| △ D901 | or 1N5401-TU-15 | SI DIODE | | | | | | | |
| D902 | 1SS355W-X | DIODE | | | C176 | NCB31AK-224X | C CAPACITOR | 0.22uF 10V K | |
| D902 | or MA111-X | SI DIODE | | | C177 | QTE1C57-476Z | E CAPACITOR | 47uF 16V | |
| D903 | GS1J-X | DIODE | | 701E,701EX,701EY,701EU,707EE | C183 | QEKJ1HM-105Z | E CAPACITOR | 1uF 50V M | |
| | | | | | C184 | QEKJ1HM-105Z | E CAPACITOR | 1uF 50V M | |
| D971 | MA22D23-X | SB DIODE | | | C185 | QEKJ1HM-105Z | E CAPACITOR | 1uF 50V M | |
| D971 | or CRS03-W | SB DIODE | | | C186 | QEKJ1HM-105Z | E CAPACITOR | 1uF 50V M | |
| D971 | or RB160M-30-X | SB DIODE | | | C261 | QEKJ1CM-106Z | E CAPACITOR | 10uF 16V M | |
| D972 | MA22D23-X | SB DIODE | | | C262 | QEKJ0JM-476Z | E CAPACITOR | 47uF 6.3V M | |
| D972 | or CRS03-W | SB DIODE | | | C263 | NDC31HJ-101X | C CAPACITOR | 100pF 50V J | 701E,701EX,701EY,701EU,704UI,705U,705UH,706U,706UH,707EE,708UF |
| D972 | or RB160M-30-X | SB DIODE | | | | | | | |
| C1 | QEKJ1AM-227Z | E CAPACITOR | 220uF 10V M | | C301 | NFV81CM-105X | MF CAPACITOR | 1uF 16V M | |
| C2 | QEKJ1CM-476Z | E CAPACITOR | 47uF 16V M | | C302 | NFV81CM-105X | MF CAPACITOR | 1uF 16V M | |
| C3 | NCB31CK-104X | C CAPACITOR | 0.1uF 16V K | | C303 | NDC31HJ-101X | C CAPACITOR | 100pF 50V J | |
| C4 | NCB31CK-104X | C CAPACITOR | 0.1uF 16V K | | C304 | NDC31HJ-101X | C CAPACITOR | 100pF 50V J | |
| C5 | NCB31CK-104X | C CAPACITOR | 0.1uF 16V K | | C310 | QTE1C57-476Z | E CAPACITOR | 47uF 16V | |
| C6 | NCB31CK-104X | C CAPACITOR | 0.1uF 16V K | | C311 | NFV81CM-105X | MF CAPACITOR | 1uF 16V M | |
| C7 | NCB31CK-224X | C CAPACITOR | 0.22uF 16V K | | C312 | NFV81CM-105X | MF CAPACITOR | 1uF 16V M | |
| C71 | NDC31HJ-561X | C CAPACITOR | 560pF 50V J | 701E,701EX,701EY,701EU,707EE | C313 | NDC31HJ-101X | C CAPACITOR | 100pF 50V J | |
| | | | | | C314 | NDC31HJ-101X | C CAPACITOR | 100pF 50V J | |
| C72 | NCB31EK-223X | C CAPACITOR | 0.022uF 25V K | 701E,701EX,701EY,701EU,707EE | C315 | QEKJ1HM-225Z | E CAPACITOR | 2.2uF 50V M | |
| | | | | | C317 | QERF1EM-475Z | E CAPACITOR | 4.7uF 16V M | 700J,701E,704UI,705U,705UN,705UH,706U,706UH,707EE,708UF |
| C73 | QEKJ1HM-225Z | E CAPACITOR | 2.2uF 50V M | 701E,701EX,701EY,701EU,707EE | | | | | |
| | | | | | C317 | QERF1CM-475Z | E CAPACITOR | 4.7uF 16V M | 701EX,701EY,701EU |
| C74 | NDC31HJ-330X | C CAPACITOR | 33pF 50V J | 701E,701EX,701EY,701EU,707EE | | | | | |
| | | | | | C319 | NCB31EK-473X | C CAPACITOR | 0.047uF 25V K | |
| C75 | NDC31HJ-330X | C CAPACITOR | 33pF 50V J | 701E,701EX,701EY,701EU,707EE | C320 | QEKJ1HM-475Z | E CAPACITOR | 4.7uF 25V M | 700J,701E,704UI,705U,705UN,705UH,706U,706UH,707EE,708UF |
| | | | | | | | | | |
| C76 | NCB31HK-103X | C CAPACITOR | 0.01uF 50V K | 701E,701EX,701EY,701EU,707EE | | | | | |
| | | | | | C320 | QEKJ1EM-475Z | E CAPACITOR | 4.7uF 25V M | 701EX,701EY,701EU |
| C77 | QEKJ0JM-476Z | E CAPACITOR | 47uF 6.3V M | 701E,701EX,701EY,701EU,707EE | | | | | |
| | | | | | C324 | NCB31EK-473X | C CAPACITOR | 0.047uF 25V K | |
| C78 | NCB31HK-103X | C CAPACITOR | 0.01uF 50V K | 701E,701EX,701EY,701EU,707EE | C365 | QEKJ1HM-475Z | E CAPACITOR | 4.7uF 25V M | 700J,701E,704UI,705U,705UN,705UH,706U,706UH,707EE,708UF |
| | | | | | | | | | |
| C81 | QTE1H57-105Z | E CAPACITOR | 1uF 50V | | C365 | QEKJ1EM-475Z | E CAPACITOR | 4.7uF 25V M | 701EX,701EY,701EU |
| C91 | QTE1H57-105Z | E CAPACITOR | 1uF 50V | | | | | | |
| C141 | NCB31HK-472X | C CAPACITOR | 4700pF 50V K | | | | | | |
| C142 | NCB31HK-472X | C CAPACITOR | 4700pF 50V K | | | | | | |
| C161 | QTE1H57-105Z | E CAPACITOR | 1uF 50V | | | | | | |
| C162 | QTE1H54-225Z | E CAPACITOR | 2.2uF 50V | 700J,704UI,705U,705UN,705UH,706U,706UH,708UF | | | | | |
| | | | | | | | | | |
| C162 | QTE1H55-225Z | E CAPACITOR | 2.2uF 50V | 701E,701EX,701EY,701EU,707EE | | | | | |
| | | | | | | | | | |
| C164 | QEKJ1HM-105Z | E CAPACITOR | 1uF 50V M | | | | | | |
| C165 | QEKJ1HM-105Z | E CAPACITOR | 1uF 50V M | | | | | | |
| C166 | QEKJ1HM-105Z | E CAPACITOR | 1uF 50V M | | | | | | |

| △ Symbol No. | Part No. | Part Name | Description | Local | △ Symbol No. | Part No. | Part Name | Description | Local |
|--------------|--------------|-------------|---------------|---|--------------|--------------|-------------|---------------|---|
| C366 | QEKJ1HM-475Z | E CAPACITOR | 4.7uF 25V M | 700J,701 E,704UI, 705U,705 UN,705U H,706U,7 06UN,70 6UH,707 EE,708U F | C525 | QEKJ1AM-107Z | E CAPACITOR | 100uF 10V M | 701EX,70 1EY,701E U |
| C366 | QEKJ1EM-475Z | E CAPACITOR | 4.7uF 25V M | 701EX,70 1EY,701E U | C526 | QEKJ1CM-107Z | E CAPACITOR | 100uF 10V M | 700J,701 E,704UI, 705U,705 UN,705U H,706U,7 06UN,70 6UH,707 EE,708U F |
| C385 | QEKJ1HM-475Z | E CAPACITOR | 4.7uF 25V M | 700J,701 E,704UI, 705U,705 UN,705U H,706U,7 06UN,70 6UH,707 EE,708U F | C526 | QEKJ1AM-107Z | E CAPACITOR | 100uF 10V M | 701EX,70 1EY,701E U |
| C385 | QEKJ1EM-475Z | E CAPACITOR | 4.7uF 25V M | 701EX,70 1EY,701E U | C527 | NCB31HK-103X | C CAPACITOR | 0.01uF 50V K | |
| C386 | QEKJ1HM-475Z | E CAPACITOR | 4.7uF 25V M | 700J,701 E,704UI, 705U,705 UN,705U H,706U,7 06UN,70 6UH,707 EE,708U F | C528 | QEKJ1CM-107Z | E CAPACITOR | 100uF 10V M | 700J,701 E,704UI, 705U,705 UN,705U H,706U,7 06UN,70 6UH,707 EE,708U F |
| C386 | QEKJ1EM-475Z | E CAPACITOR | 4.7uF 25V M | 701EX,70 1EY,701E U | C528 | QEKJ1AM-107Z | E CAPACITOR | 100uF 10V M | 701EX,70 1EY,701E U |
| C502 | QEKJ1CM-107Z | E CAPACITOR | 100uF 10V M | 700J,701 E,704UI, 705U,705 UN,705U H,706U,7 06UN,70 6UH,707 EE,708U F | C529 | NCB31HK-103X | C CAPACITOR | 0.01uF 50V K | |
| C502 | QEKJ1AM-107Z | E CAPACITOR | 100uF 10V M | 701EX,70 1EY,701E U | C530 | NCB31CK-153X | C CAPACITOR | 0.015uF 16V K | |
| C503 | QEKJ1CM-476Z | E CAPACITOR | 47uF 16V M | | C531 | NCB31HK-102X | C CAPACITOR | 1000pF 50V K | |
| C504 | NCB31HK-103X | C CAPACITOR | 0.01uF 50V K | | C532 | NDC31HJ-271X | C CAPACITOR | 270pF 50V J | |
| C509 | NCB31EK-104X | C CAPACITOR | 0.1uF 25V K | | C533 | NDC31HJ-271X | C CAPACITOR | 270pF 50V J | |
| C510 | NCB31EK-104X | C CAPACITOR | 0.1uF 25V K | | C534 | NCB31EK-273X | C CAPACITOR | 0.027uF 25V K | |
| C511 | NCB31HK-103X | C CAPACITOR | 0.01uF 50V K | | C535 | NCB31HK-183X | C CAPACITOR | 0.018uF 50V K | |
| C512 | NCB31HK-103X | C CAPACITOR | 0.01uF 50V K | | C536 | NCB31EK-104X | C CAPACITOR | 0.1uF 25V K | |
| C513 | NCB31HK-103X | C CAPACITOR | 0.01uF 50V K | | C537 | NCB31HK-222X | C CAPACITOR | 2200pF 50V K | |
| C514 | NCB31HK-103X | C CAPACITOR | 0.01uF 50V K | | C538 | QEKJ1CM-476Z | E CAPACITOR | 47uF 16V M | |
| C515 | NCB31EK-473X | C CAPACITOR | 0.047uF 25V K | | C541 | NCB31HK-333X | C CAPACITOR | 0.033uF 50V K | |
| C516 | NCB31EK-473X | C CAPACITOR | 0.047uF 25V K | | C542 | NCB31HK-333X | C CAPACITOR | 0.033uF 50V K | |
| C517 | NDC31HJ-121X | C CAPACITOR | 120pF 50V J | | C543 | NCB31EK-104X | C CAPACITOR | 0.1uF 25V K | |
| C518 | NCB31EK-473X | C CAPACITOR | 0.047uF 25V K | | C544 | NCB31EK-104X | C CAPACITOR | 0.1uF 25V K | |
| C519 | NCB31EK-473X | C CAPACITOR | 0.047uF 25V K | | C545 | NCB31EK-104X | C CAPACITOR | 0.1uF 25V K | |
| C521 | NCB31EK-104X | C CAPACITOR | 0.1uF 25V K | | C546 | NCB31EK-104X | C CAPACITOR | 0.1uF 25V K | |
| C522 | QEKJ1CM-107Z | E CAPACITOR | 100uF 10V M | 700J,701 E,704UI, 705U,705 UN,705U H,706U,7 06UN,70 6UH,707 EE,708U F | C547 | QEKJ1CM-476Z | E CAPACITOR | 47uF 16V M | |
| C522 | QEKJ1AM-107Z | E CAPACITOR | 100uF 10V M | 701EX,70 1EY,701E U | C548 | NCB31EK-104X | C CAPACITOR | 0.1uF 25V K | |
| C523 | NCB31EK-104X | C CAPACITOR | 0.1uF 25V K | | C549 | QEKJ1CM-226Z | E CAPACITOR | 22uF 16V M | |
| C524 | NCB31EK-104X | C CAPACITOR | 0.1uF 25V K | | C550 | NCB31EK-104X | C CAPACITOR | 0.1uF 25V K | |
| C525 | QEKJ1CM-107Z | E CAPACITOR | 100uF 10V M | 700J,701 E,704UI, 705U,705 UN,705U H,706U,7 06UN,70 6UH,707 EE,708U F | C551 | NCB31EK-104X | C CAPACITOR | 0.1uF 25V K | |
| | | | | | C552 | NCB31EK-104X | C CAPACITOR | 0.1uF 25V K | |
| | | | | | C554 | NCB31EK-104X | C CAPACITOR | 0.1uF 25V K | |
| | | | | | C555 | NCB31EK-104X | C CAPACITOR | 0.1uF 25V K | |
| | | | | | C556 | NCB31EK-104X | C CAPACITOR | 0.1uF 25V K | |
| | | | | | C557 | QEKJ1CM-476Z | E CAPACITOR | 47uF 16V M | |
| | | | | | C558 | NCB31EK-104X | C CAPACITOR | 0.1uF 25V K | |
| | | | | | C559 | QEKJ1CM-476Z | E CAPACITOR | 47uF 16V M | |
| | | | | | C560 | NCB31EK-104X | C CAPACITOR | 0.1uF 25V K | |
| | | | | | C561 | NCB31EK-104X | C CAPACITOR | 0.1uF 25V K | |
| | | | | | C562 | QEKJ1CM-476Z | E CAPACITOR | 47uF 16V M | |
| | | | | | C563 | NCB31EK-104X | C CAPACITOR | 0.1uF 25V K | |
| | | | | | C564 | NDC31HJ-680X | C CAPACITOR | 68pF 50V J | |
| | | | | | C565 | NCB31EK-153X | C CAPACITOR | 0.015uF 25V K | |
| | | | | | C566 | NCB31EK-104X | C CAPACITOR | 0.1uF 25V K | |
| | | | | | C567 | NCB31EK-104X | C CAPACITOR | 0.1uF 25V K | |
| | | | | | C568 | NCB31HK-472X | C CAPACITOR | 4700pF 50V K | |
| | | | | | C569 | NCB31HK-103X | C CAPACITOR | 0.01uF 50V K | |
| | | | | | C570 | NCB31HK-103X | C CAPACITOR | 0.01uF 50V K | |
| | | | | | C571 | NCB31EK-153X | C CAPACITOR | 0.015uF 25V K | |
| | | | | | C572 | NDC31HJ-470X | C CAPACITOR | 47pF 50V J | |
| | | | | | C573 | NCB31EK-333X | C CAPACITOR | 0.033uF 25V K | |
| | | | | | C574 | NCB31HK-103X | C CAPACITOR | 0.01uF 50V K | |
| | | | | | C575 | QEKJ1CM-107Z | E CAPACITOR | 100uF 10V M | 700J,701 E,704UI, 705U,705 UN,705U H,706U,7 06UN,70 6UH,707 EE,708U F |

| △ Symbol No. | Part No. | Part Name | Description | Local | △ Symbol No. | Part No. | Part Name | Description | Local |
|--------------|--------------|----------------|---------------|---|--------------|--------------|----------------|---------------|--|
| C575 | QEKJ1AM-107Z | E CAPACITOR | 100uF 10V M | 701EX,701E U | C685 | NCB31EK-104X | C CAPACITOR | 0.1uF 25V K | |
| C576 | NCB31HK-562X | C CAPACITOR | 5600pF 50V K | | C686 | NCB31HK-472X | C CAPACITOR | 4700pF 50V K | |
| C578 | NCB31HK-103X | C CAPACITOR | 0.01uF 50V K | | C687 | NBZ0009-127X | E. CAPACITOR | 120uF | |
| C580 | QTE1E57-475Z | E CAPACITOR | 4.7uF 25V | | C688 | NCB31EK-103X | C CAPACITOR | 0.01uF 25V K | |
| C581 | NDC31HJ-101X | C CAPACITOR | 100pF 50V J | | C689 | NCB31CK-153X | C CAPACITOR | 0.015uF 16V K | |
| C582 | NDC31HJ-151X | C CAPACITOR | 150pF 50V J | | C691 | NBE21CM-475X | TA E CAPACITOR | 4.7uF 16V M | |
| C583 | QTE0J57-476Z | E CAPACITOR | 47uF 6.3V | | C692 | NCB31CK-104X | C CAPACITOR | 0.1uF 16V K | |
| C584 | NDC31HJ-821X | C CAPACITOR | 820pF 50V J | | C701 | NDC31HJ-220X | C CAPACITOR | 22pF 50V J | |
| C590 | QTE1E57-475Z | E CAPACITOR | 4.7uF 25V | | C702 | NDC31HJ-270X | C CAPACITOR | 27pF 50V J | |
| C591 | NDC31HJ-101X | C CAPACITOR | 100pF 50V J | | C705 | NCB31EK-473X | C CAPACITOR | 0.047uF 25V K | |
| C592 | NDC31HJ-151X | C CAPACITOR | 150pF 50V J | | C706 | NCB31EK-473X | C CAPACITOR | 0.047uF 25V K | |
| C593 | QTE0J57-476Z | E CAPACITOR | 47uF 6.3V | | C707 | NCB31EK-473X | C CAPACITOR | 0.047uF 25V K | |
| C594 | NDC31HJ-821X | C CAPACITOR | 820pF 50V J | | C708 | NCB31EK-473X | C CAPACITOR | 0.047uF 25V K | |
| C596 | QEKJ1CM-107Z | E CAPACITOR | 100uF 10V M | 700J,701 E,704UI, 705U,705 UN,705U H,706U,7 06UN,70 6UH,707 EE,708U F | C710 | QEKJ0JM-476Z | E CAPACITOR | 47uF 6.3V M | |
| C597 | NCB31CK-104X | C CAPACITOR | 0.1uF 16V K | | C711 | QERF0JM-337Z | E CAPACITOR | 330uF 6.3V M | |
| C598 | NCB31EK-104X | C CAPACITOR | 0.1uF 25V K | | C712 | NCB31HK-103X | C CAPACITOR | 0.01uF 50V K | |
| C602 | NCB31CK-104X | C CAPACITOR | 0.1uF 16V K | | C713 | NCB31HK-103X | C CAPACITOR | 0.01uF 50V K | |
| C603 | NCB31CK-104X | C CAPACITOR | 0.1uF 16V K | | C716 | NCB31EK-104X | C CAPACITOR | 0.1uF 25V K | |
| C604 | NCB31CK-104X | C CAPACITOR | 0.1uF 16V K | | C717 | NCB31EK-104X | C CAPACITOR | 0.1uF 25V K | |
| C605 | NCB31HK-122X | C CAPACITOR | 1200pF 50V K | | C718 | NDC31HJ-101X | C CAPACITOR | 100pF 50V J | 700J,701 E,701EX, 701EY,70 1EU |
| C606 | NCB31CK-104X | C CAPACITOR | 0.1uF 16V K | | C724 | NCB31AK-334X | C CAPACITOR | 0.33uF 10V K | |
| C607 | NDC31HJ-220X | C CAPACITOR | 22pF 50V J | | C728 | NCB31EK-104X | C CAPACITOR | 0.1uF 25V K | |
| C608 | NDC31HJ-220X | C CAPACITOR | 22pF 50V J | | C771 | NCB31EK-473X | C CAPACITOR | 0.047uF 25V K | 701E,701 EX,701E, Y,701EU, 707EE |
| C609 | NCB31CK-104X | C CAPACITOR | 0.1uF 16V K | | C781 | QEKJ1CM-107Z | E CAPACITOR | 100uF 16V M | |
| C610 | NCB31CK-104X | C CAPACITOR | 0.1uF 16V K | | C783 | NCB31HK-103X | C CAPACITOR | 0.01uF 50V K | |
| C611 | NDC31HJ-331X | C CAPACITOR | 330pF 50V J | | C784 | QEKJ1CM-107Z | E CAPACITOR | 100uF 16V M | |
| C612 | NCB31CK-104X | C CAPACITOR | 0.1uF 16V K | | C801 | NCB31EK-473X | C CAPACITOR | 0.047uF 25V K | |
| C613 | NCB31CK-104X | C CAPACITOR | 0.1uF 16V K | | C851 | QEKJ1CM-106Z | E CAPACITOR | 10uF 16V M | 704UI,70 5U,705U N,705UH, 706U,706 UN,706U H,708UF |
| C614 | NCB31CK-104X | C CAPACITOR | 0.1uF 16V K | | C852 | NCB31CK-224X | C CAPACITOR | 0.22uF 16V K | 704UI,70 5U,705U N,705UH, 706U,706 UN,706U H,708UF |
| C615 | NCB31CK-104X | C CAPACITOR | 0.1uF 16V K | | C881 | QEKJ1CM-226Z | E CAPACITOR | 22uF 16V M | |
| C616 | NCB31CK-104X | C CAPACITOR | 0.1uF 16V K | | C891 | NCB31EK-104X | C CAPACITOR | 0.1uF 25V K | |
| C617 | NCB31CK-104X | C CAPACITOR | 0.1uF 16V K | | C901 | QEZ0769-278 | E CAPACITOR | 2700uF | 700J,704 UI,705U, 705UN,7 05UH,70 6U,706U N,706UH, 708UF |
| C618 | NCB31CK-104X | C CAPACITOR | 0.1uF 16V K | | C901 | QEZ0844-278 | E CAPACITOR | 2700uF | 701E,701 EX,701E, Y,701EU, 707EE |
| C619 | NCB31CK-104X | C CAPACITOR | 0.1uF 16V K | | C902 | QEKJ1HM-225Z | E CAPACITOR | 2.2uF 50V M | |
| C620 | NCB31CK-104X | C CAPACITOR | 0.1uF 16V K | | C903 | QEKJ1CM-476Z | E CAPACITOR | 47uF 16V M | |
| C621 | NCB31CK-104X | C CAPACITOR | 0.1uF 16V K | | C904 | QEKJ1CM-106Z | E CAPACITOR | 10uF 16V M | |
| C640 | NCB31AK-154X | C CAPACITOR | 0.15uF 10V K | | C905 | QEKJ1CM-476Z | E CAPACITOR | 47uF 16V M | |
| C641 | NCB31CK-104X | C CAPACITOR | 0.1uF 16V K | | C906 | NCB31HK-103X | C CAPACITOR | 0.01uF 50V K | |
| C642 | NBE20JM-226X | TA E CAPACITOR | 22uF 6.3V M | | C907 | QEKJ1AM-227Z | E CAPACITOR | 220uF 10V M | |
| C643 | NCB31CK-104X | C CAPACITOR | 0.1uF 16V K | | C908 | QEKJ1AM-227Z | E CAPACITOR | 220uF 10V M | |
| C644 | NCB31CK-104X | C CAPACITOR | 0.1uF 16V K | | C909 | QEKJ1AM-227Z | E CAPACITOR | 220uF 10V M | |
| C645 | NCB31CK-104X | C CAPACITOR | 0.1uF 16V K | | C910 | QEKJ1CM-106Z | E CAPACITOR | 10uF 16V M | |
| C646 | NCB31CK-104X | C CAPACITOR | 0.1uF 16V K | | C911 | NCB31CK-104X | C CAPACITOR | 0.1uF 16V K | |
| C647 | NCB31CK-104X | C CAPACITOR | 0.1uF 16V K | | C912 | NCB31HK-103X | C CAPACITOR | 0.01uF 50V K | |
| C648 | NBE20JM-226X | TA E CAPACITOR | 22uF 6.3V M | | C913 | QEKJ1CM-106Z | E CAPACITOR | 10uF 16V M | |
| C649 | NCB31CK-104X | C CAPACITOR | 0.1uF 16V K | | C914 | QEKJ1CM-107Z | E CAPACITOR | 100uF 16V M | |
| C650 | NCB31CK-104X | C CAPACITOR | 0.1uF 16V K | | C915 | NCB31CK-104X | C CAPACITOR | 0.1uF 16V K | |
| C651 | NCB31HK-331X | C CAPACITOR | 330pF 50V K | | C929 | NCB31AK-474X | C CAPACITOR | 0.47uF 10V K | |
| C654 | NBE41AM-476X | TA E CAPACITOR | 47uF 10V M | | C933 | QEKJ1AM-227Z | E CAPACITOR | 220uF 10V M | |
| C655 | NCB31CK-104X | C CAPACITOR | 0.1uF 16V K | | C934 | NCB31CK-104X | C CAPACITOR | 0.1uF 16V K | |
| C656 | NCB31CK-104X | C CAPACITOR | 0.1uF 16V K | | C971 | NCB31EK-104X | C CAPACITOR | 0.1uF 25V K | |
| C657 | NBE41AM-476X | TA E CAPACITOR | 47uF 10V M | | C991 | NDC31HJ-471X | C CAPACITOR | 470pF 50V J | |
| C661 | NCB31HK-332X | C CAPACITOR | 3300pF 50V J | | C992 | NDC31HJ-471X | C CAPACITOR | 470pF 50V J | |
| C662 | NCS31HJ-471X | C CAPACITOR | 470pF 50V J | | C993 | NDC31HJ-471X | C CAPACITOR | 470pF 50V J | |
| C663 | NCS31HJ-471X | C CAPACITOR | 470pF 50V J | | C994 | NDC31HJ-471X | C CAPACITOR | 470pF 50V J | |
| C664 | NCB31CK-104X | C CAPACITOR | 0.1uF 16V K | | | | | | |
| C665 | NBE41AM-476X | TA E CAPACITOR | 47uF 10V M | | | | | | |
| C671 | NCB31HK-332X | C CAPACITOR | 3300pF 50V K | | | | | | |
| C672 | NCS31HJ-471X | C CAPACITOR | 470pF 50V J | | | | | | |
| C673 | NCS31HJ-471X | C CAPACITOR | 470pF 50V J | | | | | | |
| C674 | NCB31CK-104X | C CAPACITOR | 0.1uF 16V K | | | | | | |
| C675 | NBE41AM-476X | TA E CAPACITOR | 47uF 10V M | | | | | | |
| C680 | NCB31CK-153X | C CAPACITOR | 0.015uF 16V K | 700J | | | | | |
| C681 | NCB31CK-104X | C CAPACITOR | 0.1uF 16V K | | | | | | |
| C682 | NCB31CK-104X | C CAPACITOR | 0.1uF 16V K | | | | | | |
| C683 | QEZ0595-477Z | E CAPACITOR | 470uF 25V M | | | | | | |
| C684 | NCF31CZ-104X | C CAPACITOR | 0.1uF 16V Z | | | | | | |

| △ Symbol No. | Part No. | Part Name | Description | Local | △ Symbol No. | Part No. | Part Name | Description | Local |
|--------------|--------------|-------------|---------------|--|--------------|--------------|-------------|---------------|-------|
| C995 | NDC31HJ-471X | C CAPACITOR | 470pF 50V J | | R302 | NRSA63J-102X | MG RESISTOR | 1kΩ 1/16W J | |
| C996 | NDC31HJ-471X | C CAPACITOR | 470pF 50V J | | R303 | NRSA63J-103X | MG RESISTOR | 10kΩ 1/16W J | |
| C997 | NDC31HJ-471X | C CAPACITOR | 470pF 50V J | | R311 | NRSA63J-102X | MG RESISTOR | 1kΩ 1/16W J | |
| C998 | NDC31HJ-471X | C CAPACITOR | 470pF 50V J | | R312 | NRSA63J-102X | MG RESISTOR | 1kΩ 1/16W J | |
| C5001 | NCB31CK-104X | C CAPACITOR | 0.1uF 16V K | | R365 | NRSA63J-473X | MG RESISTOR | 47kΩ 1/16W J | |
| C5002 | NDC31HJ-120X | C CAPACITOR | 12pF 50V J | | R366 | NRSA63J-473X | MG RESISTOR | 47kΩ 1/16W J | |
| C5003 | NDC31HJ-150X | C CAPACITOR | 15pF 50V J | | R385 | NRSA63J-473X | MG RESISTOR | 47kΩ 1/16W J | |
| C5004 | QTE1A57-107Z | E CAPACITOR | 100uF 10V | | R386 | NRSA63J-473X | MG RESISTOR | 47kΩ 1/16W J | |
| C5005 | NCB31CK-104X | C CAPACITOR | 0.1uF 16V K | | R502 | NRSA02J-0R0X | MG RESISTOR | 0Ω 1/10W J | |
| C5006 | NCB31HK-123X | C CAPACITOR | 0.012uF 50V K | | R503 | NRSA02J-0R0X | MG RESISTOR | 0Ω 1/10W J | |
| C5007 | QTE0J57-476Z | E CAPACITOR | 47uF 6.3V | | R504 | NRSA63J-822X | MG RESISTOR | 8.2kΩ 1/16W J | |
| C5008 | NCB31CK-104X | C CAPACITOR | 0.1uF 16V K | | R505 | NRSA63J-512X | MG RESISTOR | 5.1kΩ 1/16W J | |
| C5010 | NCB31CK-104X | C CAPACITOR | 0.1uF 16V K | | R511 | NRSA63J-103X | MG RESISTOR | 10kΩ 1/16W J | |
| R3 | NRSA63J-102X | MG RESISTOR | 1kΩ 1/16W J | | R512 | NRSA63J-752X | MG RESISTOR | 7.5kΩ 1/16W J | |
| R9 | NRSA63J-103X | MG RESISTOR | 10kΩ 1/16W J | | R513 | NRSA63J-332X | MG RESISTOR | 3.3kΩ 1/16W J | |
| R10 | NRSA63J-473X | MG RESISTOR | 47kΩ 1/16W J | | R514 | NRSA63J-103X | MG RESISTOR | 10kΩ 1/16W J | |
| R11 | NRSA63J-472X | MG RESISTOR | 4.7kΩ 1/16W J | | R515 | NRSA63J-682X | MG RESISTOR | 6.8kΩ 1/16W J | |
| R12 | NRSA63J-331X | MG RESISTOR | 330Ω 1/16W J | | R518 | NRSA63J-302X | MG RESISTOR | 3kΩ 1/16W J | |
| R13 | NRSA63J-472X | MG RESISTOR | 4.7kΩ 1/16W J | | R519 | NRSA63J-123X | MG RESISTOR | 12kΩ 1/16W J | |
| R14 | NRSA63J-331X | MG RESISTOR | 330Ω 1/16W J | | R520 | NRSA63J-822X | MG RESISTOR | 8.2kΩ 1/16W J | |
| R15 | NRSA63J-102X | MG RESISTOR | 1kΩ 1/16W J | | R521 | NRSA63J-152X | MG RESISTOR | 1.5kΩ 1/16W J | |
| R16 | NRSA63J-332X | MG RESISTOR | 3.3kΩ 1/16W J | | R522 | NRSA63J-152X | MG RESISTOR | 1.5kΩ 1/16W J | |
| R17 | NRSA63J-0R0X | MG RESISTOR | 0Ω 1/16W J | | R523 | NRSA63J-152X | MG RESISTOR | 1.5kΩ 1/16W J | |
| R21 | NRS181J-120X | MG RESISTOR | 12Ω 1/8W J | | R524 | NRSA63J-151X | MG RESISTOR | 150Ω 1/16W J | |
| R22 | NRS181J-120X | MG RESISTOR | 12Ω 1/8W J | | R525 | NRS181J-101X | MG RESISTOR | 100Ω 1/8W J | |
| R71 | NRSA63J-0R0X | MG RESISTOR | 0Ω 1/16W J | 701E,701 EX,701E Y,701EU, 707EE | R526 | NRS181J-101X | MG RESISTOR | 100Ω 1/8W J | |
| R72 | NRSA63J-222X | MG RESISTOR | 2.2kΩ 1/16W J | 701E,701 EX,701E Y,701EU, 707EE | R527 | NRSA63J-473X | MG RESISTOR | 47kΩ 1/16W J | |
| R73 | NRSA63J-222X | MG RESISTOR | 2.2kΩ 1/16W J | 701E,701 EX,701E Y,701EU, 707EE | R528 | NRSA63J-102X | MG RESISTOR | 1kΩ 1/16W J | |
| R74 | NRSA02J-101X | MG RESISTOR | 100Ω 1/10W J | 701E,701 EX,701E Y,701EU, 707EE | R529 | NRSA63J-102X | MG RESISTOR | 1kΩ 1/16W J | |
| R81 | NRSA63J-123X | MG RESISTOR | 12kΩ 1/16W J | | R530 | NRSA63J-105X | MG RESISTOR | 1MΩ 1/16W J | |
| R82 | NRSA63J-242X | MG RESISTOR | 2.4kΩ 1/16W J | 700J | R531 | NRSA63J-332X | MG RESISTOR | 3.3kΩ 1/16W J | |
| R82 | NRSA63J-472X | MG RESISTOR | 4.7kΩ 1/16W J | 701E,701 EX,701E Y,701EU, 704UI,70 5U,705U N,705UH, 706U,706 UN,706U H,707EE, 708UF | R532 | NRSA63J-221X | MG RESISTOR | 220Ω 1/16W J | |
| R91 | NRSA63J-123X | MG RESISTOR | 12kΩ 1/16W J | | R533 | NRSA63J-103X | MG RESISTOR | 10kΩ 1/16W J | |
| R92 | NRSA63J-242X | MG RESISTOR | 2.4kΩ 1/16W J | 700J | R534 | NRSA63J-103X | MG RESISTOR | 10kΩ 1/16W J | |
| R92 | NRSA63J-472X | MG RESISTOR | 4.7kΩ 1/16W J | 701E,701 EX,701E Y,701EU, 704UI,70 5U,705U N,705UH, 706U,706 UN,706U H,707EE, 708UF | R535 | NRSA63J-103X | MG RESISTOR | 10kΩ 1/16W J | |
| R141 | NRSA63J-473X | MG RESISTOR | 47kΩ 1/16W J | | R536 | NRSA63J-103X | MG RESISTOR | 10kΩ 1/16W J | |
| R142 | NRSA63J-473X | MG RESISTOR | 47kΩ 1/16W J | | R537 | NRSA63J-103X | MG RESISTOR | 10kΩ 1/16W J | |
| R161 | NRSA63J-222X | MG RESISTOR | 2.2kΩ 1/16W J | | R538 | NRSA63J-103X | MG RESISTOR | 10kΩ 1/16W J | |
| R162 | NRSA63J-222X | MG RESISTOR | 2.2kΩ 1/16W J | | R539 | NRSA63J-103X | MG RESISTOR | 10kΩ 1/16W J | |
| R163 | NRSA63J-331X | MG RESISTOR | 330Ω 1/16W J | | R540 | NRSA63J-103X | MG RESISTOR | 10kΩ 1/16W J | |
| R175 | NRSA63J-222X | MG RESISTOR | 2.2kΩ 1/16W J | | R541 | NRSA63J-101X | MG RESISTOR | 100Ω 1/16W J | |
| R176 | NRSA63J-222X | MG RESISTOR | 2.2kΩ 1/16W J | | R542 | NRSA63J-103X | MG RESISTOR | 10kΩ 1/16W J | |
| R178 | NRSA63J-103X | MG RESISTOR | 10kΩ 1/16W J | | R543 | NRSA63J-101X | MG RESISTOR | 100Ω 1/16W J | |
| R179 | NRSA63J-103X | MG RESISTOR | 10kΩ 1/16W J | | R544 | NRSA63J-101X | MG RESISTOR | 100Ω 1/16W J | |
| R181 | NRSA63J-222X | MG RESISTOR | 2.2kΩ 1/16W J | | R545 | NRSA63J-104X | MG RESISTOR | 100kΩ 1/16W J | |
| R182 | NRSA63J-222X | MG RESISTOR | 2.2kΩ 1/16W J | | R546 | NRSA63J-104X | MG RESISTOR | 100kΩ 1/16W J | |
| R261 | NRSA63J-101X | MG RESISTOR | 100Ω 1/16W J | | R547 | NRSA63J-472X | MG RESISTOR | 4.7kΩ 1/16W J | |
| R262 | NRSA63J-821X | MG RESISTOR | 820Ω 1/16W J | | R548 | NRSA63J-562X | MG RESISTOR | 5.6kΩ 1/16W J | |
| R263 | NRSA63J-333X | MG RESISTOR | 33kΩ 1/16W J | | R549 | NRSA63J-154X | MG RESISTOR | 150kΩ 1/16W J | |
| R264 | NRSA63J-472X | MG RESISTOR | 4.7kΩ 1/16W J | | R550 | NRSA63J-334X | MG RESISTOR | 330kΩ 1/16W J | |
| R301 | NRSA63J-102X | MG RESISTOR | 1kΩ 1/16W J | | R551 | NRSA63J-473X | MG RESISTOR | 47kΩ 1/16W J | |
| | | | | | R552 | NRSA63J-153X | MG RESISTOR | 15kΩ 1/16W J | |
| | | | | | R553 | NRSA63J-223X | MG RESISTOR | 22kΩ 1/16W J | |
| | | | | | R556 | NRSA63J-0R0X | MG RESISTOR | 0Ω 1/16W J | |
| | | | | | R557 | NRSA63J-0R0X | MG RESISTOR | 0Ω 1/16W J | |
| | | | | | R560 | NRSA63J-104X | MG RESISTOR | 100kΩ 1/16W J | |
| | | | | | R561 | NRSA63J-101X | MG RESISTOR | 100Ω 1/16W J | |
| | | | | | R562 | NRSA63J-101X | MG RESISTOR | 100Ω 1/16W J | |
| | | | | | R563 | NRSA63J-101X | MG RESISTOR | 100Ω 1/16W J | |
| | | | | | R564 | NRSA63J-101X | MG RESISTOR | 100Ω 1/16W J | |
| | | | | | R565 | NRSA63J-101X | MG RESISTOR | 100Ω 1/16W J | |
| | | | | | R566 | NRSA63J-101X | MG RESISTOR | 100Ω 1/16W J | |
| | | | | | R567 | NRSA63J-101X | MG RESISTOR | 100Ω 1/16W J | |
| | | | | | R568 | NRSA63J-223X | MG RESISTOR | 22kΩ 1/16W J | |
| | | | | | R569 | NRSA63J-473X | MG RESISTOR | 47kΩ 1/16W J | |
| | | | | | R570 | NRSA63J-103X | MG RESISTOR | 10kΩ 1/16W J | |
| | | | | | R571 | NRSA63J-103X | MG RESISTOR | 10kΩ 1/16W J | |
| | | | | | R572 | NRSA63J-103X | MG RESISTOR | 10kΩ 1/16W J | |
| | | | | | R573 | NRSA63J-103X | MG RESISTOR | 10kΩ 1/16W J | |
| | | | | | R574 | NRSA63J-103X | MG RESISTOR | 10kΩ 1/16W J | |
| | | | | | R575 | NRSA63J-103X | MG RESISTOR | 10kΩ 1/16W J | |
| | | | | | R576 | NRSA63J-103X | MG RESISTOR | 10kΩ 1/16W J | |
| | | | | | R577 | NRSA02J-220X | MG RESISTOR | 22Ω 1/10W J | |
| | | | | | R578 | NRSA02J-220X | MG RESISTOR | 22Ω 1/10W J | |
| | | | | | R579 | NRSA63J-103X | MG RESISTOR | 10kΩ 1/16W J | |
| | | | | | R580 | NRSA02J-100X | MG RESISTOR | 10Ω 1/10W J | |
| | | | | | R581 | NRSA63J-0R0X | MG RESISTOR | 0Ω 1/16W J | |
| | | | | | R583 | NRSA63J-243X | MG RESISTOR | 24kΩ 1/16W J | |

| △ Symbol No. | Part No. | Part Name | Description | Local | △ Symbol No. | Part No. | Part Name | Description | Local |
|--------------|--------------|-------------|---------------|---|--------------|--------------|-------------|---------------|---|
| R585 | NRSA63J-273X | MG RESISTOR | 27kΩ 1/16W J | | R682 | NRSA63J-103X | MG RESISTOR | 10kΩ 1/16W J | |
| R586 | NRSA63J-822X | MG RESISTOR | 8.2kΩ 1/16W J | | R683 | NRSA63J-103X | MG RESISTOR | 10kΩ 1/16W J | |
| R587 | NRSA63J-103X | MG RESISTOR | 10kΩ 1/16W J | | R684 | NRSA63J-103X | MG RESISTOR | 10kΩ 1/16W J | |
| R588 | NRSA63J-103X | MG RESISTOR | 10kΩ 1/16W J | | R685 | NRSA63J-0R0X | MG RESISTOR | 0Ω 1/16W J | |
| R589 | NRSA63J-152X | MG RESISTOR | 1.5kΩ 1/16W J | | R686 | NRSA63J-0R0X | MG RESISTOR | 0Ω 1/16W J | |
| R591 | NRSA63J-0R0X | MG RESISTOR | 0Ω 1/16W J | | R687 | NRSA63J-181X | MG RESISTOR | 180Ω 1/16W J | |
| R593 | NRSA63J-243X | MG RESISTOR | 24kΩ 1/16W J | | R688 | NRSA63J-0R0X | MG RESISTOR | 0Ω 1/16W J | |
| R594 | NRSA63J-0R0X | MG RESISTOR | 0Ω 1/16W J | | R689 | NRSA63D-124X | MG RESISTOR | 120kΩ 1/16W D | |
| R595 | NRSA63J-273X | MG RESISTOR | 27kΩ 1/16W J | | R690 | NRSA63J-154X | MG RESISTOR | 150kΩ 1/16W J | |
| R596 | NRSA63J-822X | MG RESISTOR | 8.2kΩ 1/16W J | | R691 | NRSA63J-153X | MG RESISTOR | 15kΩ 1/16W J | |
| R597 | NRSA63J-103X | MG RESISTOR | 10kΩ 1/16W J | | R692 | NRSA63J-623X | MG RESISTOR | 62kΩ 1/16W J | |
| R598 | NRSA63J-103X | MG RESISTOR | 10kΩ 1/16W J | | R694 | NRSA63J-103X | MG RESISTOR | 10kΩ 1/16W J | |
| R599 | NRSA63J-152X | MG RESISTOR | 1.5kΩ 1/16W J | | R695 | NRS181J-681X | MG RESISTOR | 680Ω 1/8W J | |
| R601 | NRSA63J-0R0X | MG RESISTOR | 0Ω 1/16W J | | R696 | NRSA63J-153X | MG RESISTOR | 15kΩ 1/16W J | |
| R602 | NRSA63J-0R0X | MG RESISTOR | 0Ω 1/16W J | | R698 | NRSA63J-330X | MG RESISTOR | 33Ω 1/16W J | |
| R603 | NRSA63J-0R0X | MG RESISTOR | 0Ω 1/16W J | | R699 | NRSA63J-330X | MG RESISTOR | 33Ω 1/16W J | |
| R604 | NRSA63J-472X | MG RESISTOR | 4.7kΩ 1/16W J | | R701 | NRSA63J-473X | MG RESISTOR | 47kΩ 1/16W J | |
| R605 | NRSA63J-472X | MG RESISTOR | 4.7kΩ 1/16W J | | R702 | NRSA63J-103X | MG RESISTOR | 10kΩ 1/16W J | |
| R606 | NRSA63J-472X | MG RESISTOR | 4.7kΩ 1/16W J | | R704 | NRSA63J-473X | MG RESISTOR | 47kΩ 1/16W J | |
| R607 | NRSA63J-0R0X | MG RESISTOR | 0Ω 1/16W J | | R705 | NRSA63J-473X | MG RESISTOR | 47kΩ 1/16W J | |
| R608 | NRSA63J-0R0X | MG RESISTOR | 0Ω 1/16W J | | R709 | NRSA63J-271X | MG RESISTOR | 270Ω 1/16W J | |
| R609 | NRSA63J-102X | MG RESISTOR | 1kΩ 1/16W J | | R710 | NRSA63J-271X | MG RESISTOR | 270Ω 1/16W J | |
| R610 | NRSA63J-0R0X | MG RESISTOR | 0Ω 1/16W J | | R712 | NRSA63J-101X | MG RESISTOR | 100Ω 1/16W J | |
| R611 | NRSA63J-100X | MG RESISTOR | 10Ω 1/16W J | | R713 | NRSA63J-101X | MG RESISTOR | 100Ω 1/16W J | |
| R612 | NRSA63J-105X | MG RESISTOR | 1MΩ 1/16W J | | R714 | NRSA63J-222X | MG RESISTOR | 2.2kΩ 1/16W J | |
| R615 | NRSA63J-0R0X | MG RESISTOR | 0Ω 1/16W J | | R715 | NRSA63J-101X | MG RESISTOR | 100Ω 1/16W J | |
| R616 | NRSA63J-0R0X | MG RESISTOR | 0Ω 1/16W J | | R716 | NRSA63J-101X | MG RESISTOR | 100Ω 1/16W J | |
| R617 | NRSA63J-0R0X | MG RESISTOR | 0Ω 1/16W J | | R717 | NRSA63J-103X | MG RESISTOR | 10kΩ 1/16W J | |
| R618 | NRSA63J-0R0X | MG RESISTOR | 0Ω 1/16W J | | R718 | NRSA63J-103X | MG RESISTOR | 10kΩ 1/16W J | |
| R620 | NRSA63J-104X | MG RESISTOR | 100kΩ 1/16W J | | R719 | NRSA63J-0R0X | MG RESISTOR | 0Ω 1/16W J | |
| R621 | NRSA63J-472X | MG RESISTOR | 4.7kΩ 1/16W J | | R720 | NRSA63J-122X | MG RESISTOR | 1.2kΩ 1/16W J | |
| R625 | NRSA63J-103X | MG RESISTOR | 10kΩ 1/16W J | | R721 | NRSA63J-102X | MG RESISTOR | 1kΩ 1/16W J | |
| R626 | NRSA63J-0R0X | MG RESISTOR | 0Ω 1/16W J | | R722 | NRSA63J-103X | MG RESISTOR | 10kΩ 1/16W J | |
| R629 | NRSA63J-0R0X | MG RESISTOR | 0Ω 1/16W J | | R724 | NRSA63J-271X | MG RESISTOR | 270Ω 1/16W J | |
| R635 | NRSA63J-472X | MG RESISTOR | 4.7kΩ 1/16W J | | R727 | NRSA63J-102X | MG RESISTOR | 1kΩ 1/16W J | |
| R639 | NRSA63J-473X | MG RESISTOR | 47kΩ 1/16W J | | R728 | NRSA63J-101X | MG RESISTOR | 100Ω 1/16W J | |
| R641 | NRSA63J-102X | MG RESISTOR | 1kΩ 1/16W J | | R731 | NRSA63J-473X | MG RESISTOR | 47kΩ 1/16W J | |
| R643 | NRSA63J-0R0X | MG RESISTOR | 0Ω 1/16W J | 704UI,70 5U,705U N,705UH, 706U,706 UN,706U H,708UF | R732 | NRSA63J-103X | MG RESISTOR | 10kΩ 1/16W J | 701E,701 EX,701E Y,701EU, 707EE |
| R644 | NRSA63J-472X | MG RESISTOR | 4.7kΩ 1/16W J | 700J,701 E,701EX, 701EY,70 1EU,707 EE | R734 | NRSA63J-222X | MG RESISTOR | 2.2kΩ 1/16W J | |
| R645 | NRSA63J-0R0X | MG RESISTOR | 0Ω 1/16W J | 704UI,70 5U,705U N,705UH, 706U,706 UN,706U H,708UF | R735 | NRSA63J-222X | MG RESISTOR | 2.2kΩ 1/16W J | |
| R646 | NRSA63J-472X | MG RESISTOR | 4.7kΩ 1/16W J | | R736 | NRSA63J-222X | MG RESISTOR | 2.2kΩ 1/16W J | |
| R647 | NRSA63J-0R0X | MG RESISTOR | 0Ω 1/16W J | | R737 | NRSA63J-0R0X | MG RESISTOR | 0Ω 1/16W J | |
| R648 | NRSA63J-473X | MG RESISTOR | 47kΩ 1/16W J | | R738 | NRSA63J-472X | MG RESISTOR | 4.7kΩ 1/16W J | |
| R651 | NRSA63J-473X | MG RESISTOR | 47kΩ 1/16W J | | R739 | NRSA63J-472X | MG RESISTOR | 4.7kΩ 1/16W J | |
| R654 | NRSA63J-100X | MG RESISTOR | 10Ω 1/16W J | | R740 | NRSA63J-472X | MG RESISTOR | 4.7kΩ 1/16W J | |
| R655 | NRSA63J-100X | MG RESISTOR | 10Ω 1/16W J | | R741 | NRSA63J-101X | MG RESISTOR | 100Ω 1/16W J | |
| R660 | NRSA63J-122X | MG RESISTOR | 1.2kΩ 1/16W J | | R742 | NRSA63J-101X | MG RESISTOR | 100Ω 1/16W J | |
| R661 | NRSA63J-472X | MG RESISTOR | 4.7kΩ 1/16W J | | R743 | NRSA63J-103X | MG RESISTOR | 10kΩ 1/16W J | |
| R662 | NRSA63J-472X | MG RESISTOR | 4.7kΩ 1/16W J | | R744 | NRSA63J-103X | MG RESISTOR | 10kΩ 1/16W J | |
| R663 | NRSA63J-223X | MG RESISTOR | 22kΩ 1/16W J | | R745 | NRSA63J-103X | MG RESISTOR | 10kΩ 1/16W J | |
| R664 | NRSA63J-472X | MG RESISTOR | 4.7kΩ 1/16W J | | R746 | NRSA63J-103X | MG RESISTOR | 10kΩ 1/16W J | |
| R665 | NRSA63J-201X | MG RESISTOR | 200Ω 1/16W J | | R747 | NRSA63J-472X | MG RESISTOR | 4.7kΩ 1/16W J | |
| R666 | NRSA63J-223X | MG RESISTOR | 22kΩ 1/16W J | | R748 | NRSA63J-472X | MG RESISTOR | 4.7kΩ 1/16W J | |
| R667 | NRSA63J-472X | MG RESISTOR | 4.7kΩ 1/16W J | | R749 | NRSA63J-472X | MG RESISTOR | 4.7kΩ 1/16W J | |
| R668 | NRSA63J-201X | MG RESISTOR | 200Ω 1/16W J | | R750 | NRSA63J-103X | MG RESISTOR | 10kΩ 1/16W J | |
| R669 | NRSA63J-102X | MG RESISTOR | 1kΩ 1/16W J | | R751 | NRSA63J-103X | MG RESISTOR | 10kΩ 1/16W J | |
| R670 | NRSA63J-122X | MG RESISTOR | 1.2kΩ 1/16W J | | R752 | NRSA63J-473X | MG RESISTOR | 47kΩ 1/16W J | |
| R671 | NRSA63J-472X | MG RESISTOR | 4.7kΩ 1/16W J | | R753 | NRSA63J-473X | MG RESISTOR | 47kΩ 1/16W J | |
| R672 | NRSA63J-472X | MG RESISTOR | 4.7kΩ 1/16W J | | R755 | NRSA63J-106X | MG RESISTOR | 10MΩ 1/16W J | |
| R673 | NRSA63J-223X | MG RESISTOR | 22kΩ 1/16W J | | R756 | NRSA63J-473X | MG RESISTOR | 47kΩ 1/16W J | |
| R674 | NRSA63J-472X | MG RESISTOR | 4.7kΩ 1/16W J | | R757 | NRSA63J-222X | MG RESISTOR | 2.2kΩ 1/16W J | |
| R675 | NRSA63J-201X | MG RESISTOR | 200Ω 1/16W J | | R758 | NRSA63J-473X | MG RESISTOR | 47kΩ 1/16W J | |
| R676 | NRSA63J-223X | MG RESISTOR | 22kΩ 1/16W J | | R759 | NRSA63J-103X | MG RESISTOR | 10kΩ 1/16W J | 700J,701 E,701EX, 701EY,70 1EU |
| R677 | NRSA63J-472X | MG RESISTOR | 4.7kΩ 1/16W J | | R760 | NRSA63J-103X | MG RESISTOR | 10kΩ 1/16W J | 704UI,70 5U,705U N,705UH, 706U,706 UN,706U H,707EE, 708UF |
| R678 | NRSA63J-201X | MG RESISTOR | 200Ω 1/16W J | | R766 | NRSA63J-222X | MG RESISTOR | 2.2kΩ 1/16W J | 700J,701 E,701EX, 701EY,70 1EU |
| R679 | NRSA63J-102X | MG RESISTOR | 1kΩ 1/16W J | | | | | | |

| △ Symbol No. | Part No. | Part Name | Description | Local | △ Symbol No. | Part No. | Part Name | Description | Local |
|--------------|--------------|-------------|---------------|---|--------------|---------------|---------------|-------------|--|
| R767 | NRSA63J-223X | MG RESISTOR | 22kΩ 1/16W J | 700J,701 E,701EX, 701EY,70 1EU | L601 | NQL38DK-330X | COIL | 33uH K | |
| R771 | NRSA63J-271X | MG RESISTOR | 270Ω 1/16W J | 701E,701 EX,701E Y,701EU, 707EE | L603 | NQL093K-R12X | COIL | 0.12uH K | |
| R772 | NRSA63J-271X | MG RESISTOR | 270Ω 1/16W J | 701E,701 EX,701E Y,701EU, 707EE | L604 | NQL093K-R12X | COIL | 0.12uH K | |
| R774 | NRSA63J-473X | MG RESISTOR | 47kΩ 1/16W J | | L681 | NQL71EM-330X | COIL | 33uH M | |
| R775 | NRSA63J-473X | MG RESISTOR | 47kΩ 1/16W J | | L701 | QQL244J-4R7Z | P COIL | 4.7uH J | |
| R776 | NRSA63J-473X | MG RESISTOR | 47kΩ 1/16W J | | L702 | NQL114M-4R7X | COIL | 4.7uH M | |
| R777 | NRSA63J-473X | MG RESISTOR | 47kΩ 1/16W J | | L901 | QQR0703-001 | CHOKE COIL | | |
| R781 | NRSA63J-473X | MG RESISTOR | 47kΩ 1/16W J | | L932 | NQLE74M-100X | COIL | 10uH M | |
| R782 | NRSA63J-0R0X | MG RESISTOR | 0Ω 1/16W J | | L5002 | NQL79GM-470X | COIL | 47uH M | |
| R783 | NRSA63J-0R0X | MG RESISTOR | 0Ω 1/16W J | | L5003 | NQL093K-1R8X | COIL | 1.8uH K | |
| R784 | NRSA63J-101X | MG RESISTOR | 100Ω 1/16W J | | L5004 | NQL093K-1R8X | COIL | 1.8uH K | |
| R785 | NRSA63J-101X | MG RESISTOR | 100Ω 1/16W J | | CN261 | QGA2501C1-03 | CONNECTOR | W-B (1-3) | |
| R786 | NRSA63J-101X | MG RESISTOR | 100Ω 1/16W J | | CN323 | QGA2001F1-07 | CONNECTOR | W-B (1-7) | |
| R787 | NRSA63J-101X | MG RESISTOR | 100Ω 1/16W J | | CN501 | QGB2027M4-22S | CONNECTOR | B-B (1-22) | |
| R789 | NRSA63J-0R0X | MG RESISTOR | 0Ω 1/16W J | | CN691 | QGB1004K1-06 | CONNECTOR | B-B (1-6) | |
| R790 | NRSA63J-101X | MG RESISTOR | 100Ω 1/16W J | | CN701 | QGB1004K1-24 | CONNECTOR | B-B (1-24) | |
| R796 | NRSA63J-223X | MG RESISTOR | 22kΩ 1/16W J | | CN702 | QGA2001C1-02 | CONNECTOR | W-B (1-2) | 700J,701 E,701EX, 701EY,70 1EU |
| R797 | NRSA63J-103X | MG RESISTOR | 10kΩ 1/16W J | | CN901 | QNZ0611-001 | 16P CONNECTOR | | |
| R798 | NRSA63J-223X | MG RESISTOR | 22kΩ 1/16W J | | J1 | QNB0190-001 | CAR ANT JACK | | |
| R801 | NRSA63J-473X | MG RESISTOR | 47kΩ 1/16W J | | J801 | QNZ0095-001 | CONNECTOR | | |
| R802 | NRSA63J-473X | MG RESISTOR | 47kΩ 1/16W J | | K641 | NQR0502-001X | FERRITE BEADS | | |
| R803 | NRSA63J-101X | MG RESISTOR | 100Ω 1/16W J | | K642 | NQR0502-001X | FERRITE BEADS | | |
| R804 | NRSA63J-223X | MG RESISTOR | 22kΩ 1/16W J | | K643 | NQR0502-001X | FERRITE BEADS | | |
| R805 | NRSA63J-104X | MG RESISTOR | 100kΩ 1/16W J | | K644 | NQR0502-001X | FERRITE BEADS | | |
| R806 | NRSA63J-103X | MG RESISTOR | 10kΩ 1/16W J | | PP1 | QZW0010-001 | STYLE PIN | | 700J,701 E,701EX, 701EY,70 1EU |
| R807 | NRSA63J-104X | MG RESISTOR | 100kΩ 1/16W J | | △ TU1 | QAU0484-001 | TUNER PACK | | 700J,701 E,701EX, 701EY,70 1EU,704 UI,705U, 705UN,7 05UH,70 6U,706U N,706UH, 708UF 707EE |
| R808 | NRSA63J-331X | MG RESISTOR | 330Ω 1/16W J | | △ TU1 | QAU0485-001 | TUNER PACK | | 701E,701 EX,701E Y,701EU, 707EE |
| R809 | NRSA63J-223X | MG RESISTOR | 22kΩ 1/16W J | | X71 | QAX0263-001Z | CRYSTAL | 4.332MHz | |
| R810 | NRSA63J-101X | MG RESISTOR | 100Ω 1/16W J | | X602 | NAX0832-001X | CRYSTAL | | |
| R851 | NRSA63J-103X | MG RESISTOR | 10kΩ 1/16W J | 704UI,70 5U,705U N,705UH, 706U,706 UN,706U H,708UF | X701 | QAX0916-001Z | CRYSTAL | | |
| R881 | NRSA63J-473X | MG RESISTOR | 47kΩ 1/16W J | | X702 | QAX0401-001 | CRYSTAL | 32.768KHz | |
| R882 | NRSA63J-472X | MG RESISTOR | 4.7kΩ 1/16W J | | X5001 | QAX0413-001Z | CRYSTAL | 16.9344MHz | |
| R891 | NRSA63J-102X | MG RESISTOR | 1kΩ 1/16W J | | | | | | |
| R892 | NRSA63J-473X | MG RESISTOR | 47kΩ 1/16W J | | | | | | |
| R901 | QRE142J-102X | C RESISTOR | 1kΩ 1/4W J | | | | | | |
| R902 | NRSA02J-912X | MG RESISTOR | 9.1kΩ 1/10W J | | | | | | |
| R903 | NRSA02J-472X | MG RESISTOR | 4.7kΩ 1/10W J | | | | | | |
| R931 | NRSA63J-473X | MG RESISTOR | 47kΩ 1/16W J | | | | | | |
| R932 | NRSA63J-102X | MG RESISTOR | 1kΩ 1/16W J | | | | | | |
| R971 | NRS181J-222X | MG RESISTOR | 2.2kΩ 1/8W J | | | | | | |
| R972 | NRS181J-222X | MG RESISTOR | 2.2kΩ 1/8W J | | | | | | |
| R976 | NRSA02J-273X | MG RESISTOR | 27kΩ 1/10W J | | | | | | |
| R977 | NRSA02J-123X | MG RESISTOR | 12kΩ 1/10W J | | | | | | |
| R5001 | NRSA63J-101X | MG RESISTOR | 100Ω 1/16W J | | | | | | |
| R5002 | NRSA63J-105X | MG RESISTOR | 1MΩ 1/16W J | | | | | | |
| R5003 | NRSA63J-102X | MG RESISTOR | 1kΩ 1/16W J | | | | | | |
| R5006 | NRS181J-122X | MG RESISTOR | 1.2kΩ 1/8W J | | | | | | |
| R5007 | NRSA63J-470X | MG RESISTOR | 47Ω 1/16W J | | | | | | |
| R5008 | NRSA63J-470X | MG RESISTOR | 47Ω 1/16W J | | | | | | |
| R5009 | NRSA63J-470X | MG RESISTOR | 47Ω 1/16W J | | | | | | |
| R5010 | NRSA63J-101X | MG RESISTOR | 100Ω 1/16W J | | | | | | |
| R5011 | NRSA63J-101X | MG RESISTOR | 100Ω 1/16W J | | | | | | |
| R5012 | NRSA63J-101X | MG RESISTOR | 100Ω 1/16W J | | | | | | |
| R5015 | NRSA63J-103X | MG RESISTOR | 10kΩ 1/16W J | | | | | | |
| R5016 | NRSA63J-473X | MG RESISTOR | 47kΩ 1/16W J | | | | | | |
| R6393 | NRSA63J-102X | MG RESISTOR | 1kΩ 1/16W J | | | | | | |
| R6394 | NRSA63J-470X | MG RESISTOR | 47Ω 1/16W J | | | | | | |
| R6396 | NRSA63J-470X | MG RESISTOR | 47Ω 1/16W J | | | | | | |
| R6397 | NRSA63J-470X | MG RESISTOR | 47Ω 1/16W J | | | | | | |
| R6398 | NRSA63J-0R0X | MG RESISTOR | 0Ω 1/16W J | | | | | | |
| R6399 | NRSA63J-0R0X | MG RESISTOR | 0Ω 1/16W J | | | | | | |
| RA601 | NRZ0065-472X | MG RESISTOR | 4.7kΩ | | | | | | |
| L1 | QQL244J-4R7Z | P COIL | 4.7uH J | | | | | | |
| L571 | NQL114K-470X | INDUCTOR | 47uH K | | | | | | |
| L572 | NQL114K-470X | INDUCTOR | 47uH K | | | | | | |

Switch board (except KW-XG700J)

Block No. [0][2]

| △ Symbol No. | Part No. | Part Name | Description | Local |
|--------------|----------------|-------------|-------------|-------|
| IC602 | PT6523LQ-L | IC | | |
| IC603 | PT6523LQ-L | IC | | |
| IC604 | NJL29H380A | REMOCON RCV | | |
| Q6100 | 2SC3928A/QR/-X | TRANSISTOR | | |
| Q6100 or | 2SD601A/QR/-X | TRANSISTOR | | |
| Q6101 | 2SC3928A/QR/-X | TRANSISTOR | | |
| Q6101 or | 2SD601A/QR/-X | TRANSISTOR | | |
| Q6102 | 2SC3928A/QR/-X | TRANSISTOR | | |
| Q6102 or | 2SD601A/QR/-X | TRANSISTOR | | |
| Q6103 | 2SC3928A/QR/-X | TRANSISTOR | | |
| Q6103 or | 2SD601A/QR/-X | TRANSISTOR | | |
| Q6104 | 2SC3928A/QR/-X | TRANSISTOR | | |
| Q6104 or | 2SD601A/QR/-X | TRANSISTOR | | |
| Q6105 | 2SC3928A/QR/-X | TRANSISTOR | | |
| Q6105 or | 2SD601A/QR/-X | TRANSISTOR | | |
| Q6106 | 2SC3928A/QR/-X | TRANSISTOR | | |
| Q6106 or | 2SD601A/QR/-X | TRANSISTOR | | |
| Q6107 | 2SC3928A/QR/-X | TRANSISTOR | | |

| △ Symbol No. | Part No. | Part Name | Description | Local | △ Symbol No. | Part No. | Part Name | Description | Local |
|--------------|------------------|-----------------|-------------|---|--------------|--------------|-----------|-------------|---|
| Q6107 | or 2SD601A/QR/-X | TRANSISTOR | | | D6205 | LSQ971/KL/-X | LED | | 701E,701 EX,701EY, 701EU,70 7EE |
| Q6108 | 2SC3928A/QR/-X | TRANSISTOR | | | | | | | |
| Q6108 | or 2SD601A/QR/-X | TRANSISTOR | | | D6205 | LHQ974/LM/-X | LED | | 704UI,705 U,705UN, 705UH,70 6U,706UN ,706UH,70 8UF |
| Q6109 | 2SC3928A/QR/-X | TRANSISTOR | | | | | | | |
| Q6109 | or 2SD601A/QR/-X | TRANSISTOR | | | D6206 | LSQ971/KL/-X | LED | | 701E,701 EX,701EY, 701EU,70 7EE |
| Q6110 | 2SC3928A/QR/-X | TRANSISTOR | | | | | | | |
| Q6110 | or 2SD601A/QR/-X | TRANSISTOR | | | D6206 | LHQ974/LM/-X | LED | | 704UI,705 U,705UN, 705UH,70 6U,706UN ,706UH,70 8UF |
| Q6111 | 2SC3928A/QR/-X | TRANSISTOR | | | | | | | |
| Q6111 | or 2SD601A/QR/-X | TRANSISTOR | | | D6207 | LSQ971/KL/-X | LED | | 701E,701 EX,701EY, 701EU,70 7EE |
| Q6112 | 2SC3928A/QR/-X | TRANSISTOR | | | | | | | |
| Q6112 | or 2SD601A/QR/-X | TRANSISTOR | | | D6207 | LHQ974/LM/-X | LED | | 704UI,705 U,705UN, 705UH,70 6U,706UN ,706UH,70 8UF |
| Q6113 | 2SC3928A/QR/-X | TRANSISTOR | | | | | | | |
| Q6113 | or 2SD601A/QR/-X | TRANSISTOR | | | D6207 | LSQ971/KL/-X | LED | | 701E,701 EX,701EY, 701EU,70 7EE |
| Q6114 | 2SC3928A/QR/-X | TRANSISTOR | | | | | | | |
| Q6114 | or 2SD601A/QR/-X | TRANSISTOR | | | D6207 | LHQ974/LM/-X | LED | | 704UI,705 U,705UN, 705UH,70 6U,706UN ,706UH,70 8UF |
| Q6115 | 2SC3928A/QR/-X | TRANSISTOR | | | | | | | |
| Q6115 | or 2SD601A/QR/-X | TRANSISTOR | | | D6207 | LSQ971/KL/-X | LED | | 701E,701 EX,701EY, 701EU,70 7EE |
| Q6116 | 2SC3928A/QR/-X | TRANSISTOR | | | | | | | |
| Q6116 | or 2SD601A/QR/-X | TRANSISTOR | | | D6207 | LHQ974/LM/-X | LED | | 704UI,705 U,705UN, 705UH,70 6U,706UN ,706UH,70 8UF |
| Q6117 | 2SC3928A/QR/-X | TRANSISTOR | | | | | | | |
| Q6117 | or 2SD601A/QR/-X | TRANSISTOR | | | D6207 | LSQ971/KL/-X | LED | | 701E,701 EX,701EY, 701EU,70 7EE |
| Q6200 | 2SA1365/F/-X | TRANSISTOR | | | | | | | |
| Q6201 | RT1N141C-X | DIGI TRANSISTOR | | | D6207 | LHQ974/LM/-X | LED | | 704UI,705 U,705UN, 705UH,70 6U,706UN ,706UH,70 8UF |
| Q6201 | or UN2211-X | TRANSISTOR | | | | | | | |
| D6100 | NSCM315C/Z/-W | LED | | | | | | | |
| D6101 | NSCM315C/Z/-W | LED | | | D6208 | LSQ971/KL/-X | LED | | 701E,701 EX,701EY, 701EU,70 7EE |
| D6102 | NSCM315C/Z/-W | LED | | | | | | | |
| D6103 | UDZW6.2B-X | Z DIODE | | | D6208 | LHQ974/LM/-X | LED | | 704UI,705 U,705UN, 705UH,70 6U,706UN ,706UH,70 8UF |
| D6103 | or MA8062/M/-X | Z DIODE | | | | | | | |
| D6104 | UDZW6.2B-X | Z DIODE | | | D6209 | LSQ971/KL/-X | LED | | 701E,701 EX,701EY, 701EU,70 7EE |
| D6104 | or MA8062/M/-X | Z DIODE | | | | | | | |
| D6105 | UDZW6.2B-X | Z DIODE | | | D6209 | LHQ974/LM/-X | LED | | 704UI,705 U,705UN, 705UH,70 6U,706UN ,706UH,70 8UF |
| D6105 | or MA8062/M/-X | Z DIODE | | | | | | | |
| D6106 | UDZW6.2B-X | Z DIODE | | | D6209 | LSQ971/KL/-X | LED | | 701E,701 EX,701EY, 701EU,70 7EE |
| D6106 | or MA8062/M/-X | Z DIODE | | | | | | | |
| D6107 | UDZW6.2B-X | Z DIODE | | | D6210 | LSQ971/KL/-X | LED | | 701E,701 EX,701EY, 701EU,70 7EE |
| D6107 | or MA8062/M/-X | Z DIODE | | | | | | | |
| D6108 | UDZW6.2B-X | Z DIODE | | | D6210 | LHQ974/LM/-X | LED | | 704UI,705 U,705UN, 705UH,70 6U,706UN ,706UH,70 8UF |
| D6108 | or MA8062/M/-X | Z DIODE | | | | | | | |
| D6109 | UDZW6.2B-X | Z DIODE | | | D6210 | LSQ971/KL/-X | LED | | 701E,701 EX,701EY, 701EU,70 7EE |
| D6109 | or MA8062/M/-X | Z DIODE | | | | | | | |
| D6110 | UDZW6.2B-X | Z DIODE | | | D6210 | LHQ974/LM/-X | LED | | 704UI,705 U,705UN, 705UH,70 6U,706UN ,706UH,70 8UF |
| D6110 | or MA8062/M/-X | Z DIODE | | | | | | | |
| D6111 | UDZW6.2B-X | Z DIODE | | | D6210 | LSQ971/KL/-X | LED | | 701E,701 EX,701EY, 701EU,70 7EE |
| D6111 | or MA8062/M/-X | Z DIODE | | | | | | | |
| D6200 | MC2838-X | DIODE | | | D6210 | LHQ974/LM/-X | LED | | 704UI,705 U,705UN, 705UH,70 6U,706UN ,706UH,70 8UF |
| D6200 | or MA152WK-X | SI DIODE | | | | | | | |
| D6201 | LHQ974/LM/-X | LED | | | D6210 | LHQ974/LM/-X | LED | | 701E,701 EX,701EY, 701EU,70 7EE |
| D6202 | LSQ971/KL/-X | LED | | 701E,701 EX,701EY, 701EU,70 7EE | | | | | |
| D6202 | LHQ974/LM/-X | LED | | 704UI,705 U,705UN, 705UH,70 6U,706UN ,706UH,70 8UF | D6211 | LSQ971/KL/-X | LED | | 701E,701 EX,701EY, 701EU,70 7EE |
| D6203 | LSQ971/KL/-X | LED | | 701E,701 EX,701EY, 701EU,70 7EE | D6211 | LHQ974/LM/-X | LED | | 704UI,705 U,705UN, 705UH,70 6U,706UN ,706UH,70 8UF |
| D6203 | LHQ974/LM/-X | LED | | 704UI,705 U,705UN, 705UH,70 6U,706UN ,706UH,70 8UF | D6212 | LSQ971/KL/-X | LED | | 701E,701 EX,701EY, 701EU,70 7EE |
| D6204 | LSQ971/KL/-X | LED | | 701E,701 EX,701EY, 701EU,70 7EE | D6212 | LHQ974/LM/-X | LED | | 704UI,705 U,705UN, 705UH,70 6U,706UN ,706UH,70 8UF |
| D6204 | LHQ974/LM/-X | LED | | 704UI,705 U,705UN, 705UH,70 6U,706UN ,706UH,70 8UF | D6213 | LSQ971/KL/-X | LED | | 701E,701 EX,701EY, 701EU,70 7EE |

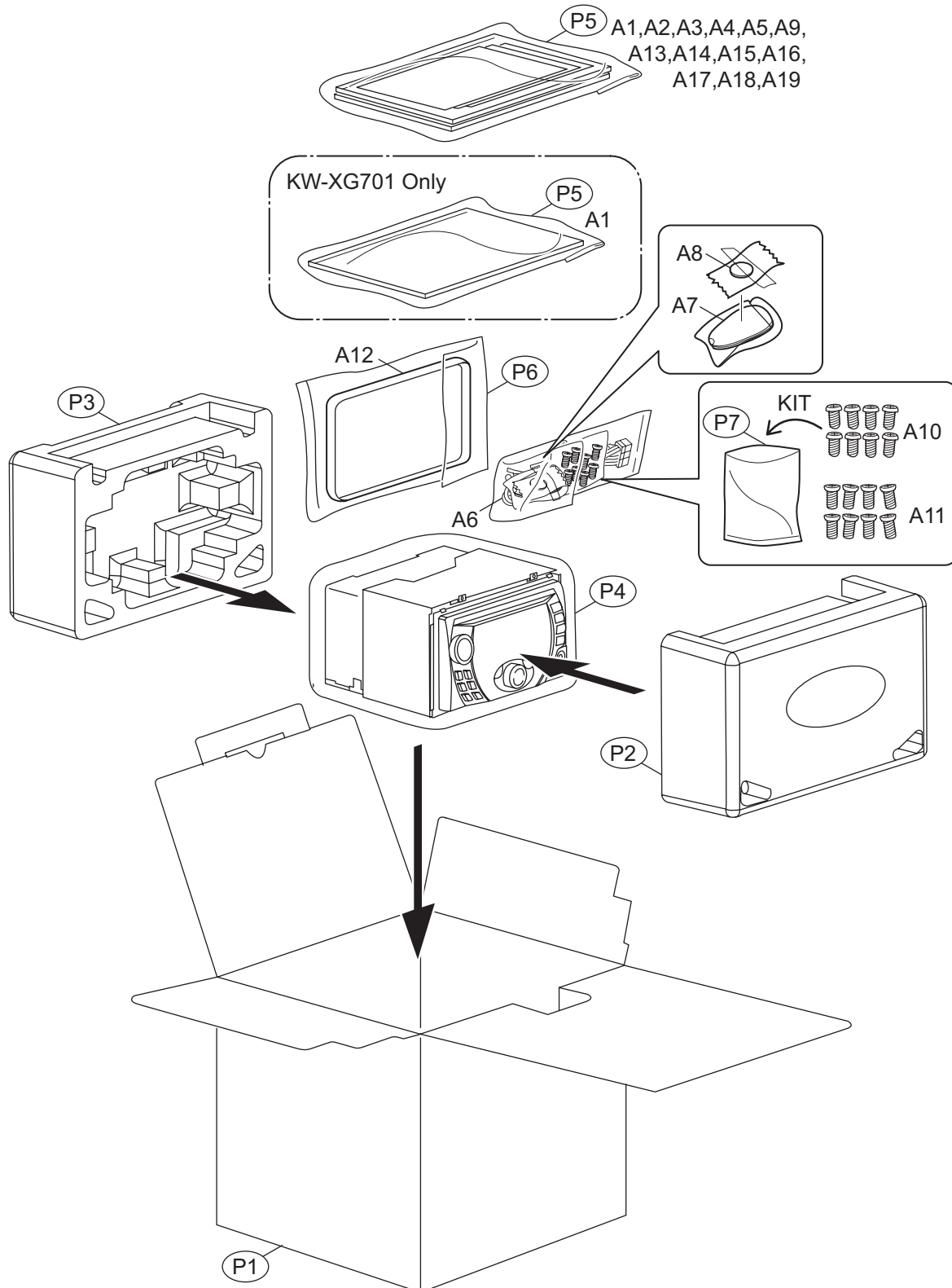
| △ Symbol No. | Part No. | Part Name | Description | Local | △ Symbol No. | Part No. | Part Name | Description | Local |
|--------------|--------------|-----------|-------------|---|--------------|----------------|----------------|---------------|---|
| D6213 | LHQ974/LM/-X | LED | | 704UI,705U,705UN,705UH,706U,706UN,706UH,708UF | D6222 | LSQ971/KL/-X | LED | | 701E,701EX,701EY,701EU,707EE |
| D6214 | LSQ971/KL/-X | LED | | 701E,701EX,701EY,701EU,707EE | D6222 | LHQ974/LM/-X | LED | | 704UI,705U,705UN,705UH,706U,706UN,706UH,708UF |
| D6214 | LHQ974/LM/-X | LED | | 704UI,705U,705UN,705UH,706U,706UN,706UH,708UF | D6223 | LSQ971/KL/-X | LED | | 701E,701EX,701EY,701EU,707EE |
| D6215 | LSQ971/KL/-X | LED | | 701E,701EX,701EY,701EU,707EE | D6223 | LHQ974/LM/-X | LED | | 704UI,705U,705UN,705UH,706U,706UN,706UH,708UF |
| D6215 | LHQ974/LM/-X | LED | | 704UI,705U,705UN,705UH,706U,706UN,706UH,708UF | D6224 | LSQ971/KL/-X | LED | | 701E,701EX,701EY,701EU,707EE |
| D6216 | LSQ971/KL/-X | LED | | 701E,701EX,701EY,701EU,707EE | D6224 | LHQ974/LM/-X | LED | | 704UI,705U,705UN,705UH,706U,706UN,706UH,708UF |
| D6216 | LHQ974/LM/-X | LED | | 704UI,705U,705UN,705UH,706U,706UN,706UH,708UF | D6360 | UDZW5.1B-X | SB DIODE | | |
| D6217 | LSQ971/KL/-X | LED | | 701E,701EX,701EY,701EU,707EE | D6360 | or MA8051/M/-X | Z DIODE | | |
| D6217 | LHQ974/LM/-X | LED | | 704UI,705U,705UN,705UH,706U,706UN,706UH,708UF | D6361 | UDZW5.1B-X | SB DIODE | | |
| D6218 | LSQ971/KL/-X | LED | | 701E,701EX,701EY,701EU,707EE | D6361 | or MA8051/M/-X | Z DIODE | | |
| D6218 | LHQ974/LM/-X | LED | | 704UI,705U,705UN,705UH,706U,706UN,706UH,708UF | D6400 | 1SS355W-X | DIODE | | |
| D6219 | LSQ971/KL/-X | LED | | 701E,701EX,701EY,701EU,707EE | D6400 | or MA111-X | SI DIODE | | |
| D6219 | LHQ974/LM/-X | LED | | 704UI,705U,705UN,705UH,706U,706UN,706UH,708UF | D6401 | UDZW5.1B-X | SB DIODE | | |
| D6220 | LSQ971/KL/-X | LED | | 701E,701EX,701EY,701EU,707EE | D6401 | or MA8051/M/-X | Z DIODE | | |
| D6220 | LHQ974/LM/-X | LED | | 704UI,705U,705UN,705UH,706U,706UN,706UH,708UF | D6410 | 1SS355W-X | DIODE | | |
| D6221 | LSQ971/KL/-X | LED | | 701E,701EX,701EY,701EU,707EE | D6410 | or MA111-X | SI DIODE | | |
| D6221 | LHQ974/LM/-X | LED | | 704UI,705U,705UN,705UH,706U,706UN,706UH,708UF | D6411 | UDZW5.1B-X | SB DIODE | | |
| | | | | | D6411 | or MA8051/M/-X | Z DIODE | | |
| | | | | | C6100 | NCB31EK-473X | C CAPACITOR | 0.047uF 25V K | |
| | | | | | C6101 | NCB31EK-473X | C CAPACITOR | 0.047uF 25V K | |
| | | | | | C6102 | NCB31EK-473X | C CAPACITOR | 0.047uF 25V K | |
| | | | | | C6103 | NCB31EK-473X | C CAPACITOR | 0.047uF 25V K | |
| | | | | | C6104 | NCB31EK-473X | C CAPACITOR | 0.047uF 25V K | |
| | | | | | C6105 | NCB31EK-473X | C CAPACITOR | 0.047uF 25V K | |
| | | | | | C6106 | NCB31EK-473X | C CAPACITOR | 0.047uF 25V K | |
| | | | | | C6107 | NCB31EK-473X | C CAPACITOR | 0.047uF 25V K | |
| | | | | | C6108 | NCB31EK-473X | C CAPACITOR | 0.047uF 25V K | |
| | | | | | C6109 | NBE20JM-475X | TA E CAPACITOR | 4.7uF 6.3V M | |
| | | | | | C6110 | NBE20JM-475X | TA E CAPACITOR | 4.7uF 6.3V M | |
| | | | | | C6111 | NBE20JM-475X | TA E CAPACITOR | 4.7uF 6.3V M | |
| | | | | | C6320 | NCB31HK-103X | C CAPACITOR | 0.01uF 50V K | |
| | | | | | C6321 | NCB31HK-103X | C CAPACITOR | 0.01uF 50V K | |
| | | | | | C6350 | NCB31HK-472X | C CAPACITOR | 4700pF 50V K | |
| | | | | | C6351 | NCB31HK-472X | C CAPACITOR | 4700pF 50V K | |
| | | | | | C6352 | NCB31CK-473X | C CAPACITOR | 0.047uF 16V K | |
| | | | | | C6400 | NCB21AK-105X | C CAPACITOR | 1uF 10V K | |
| | | | | | C6401 | NCB31CK-223X | C CAPACITOR | 0.022uF 16V K | |
| | | | | | C6402 | NCS31HJ-681X | C CAPACITOR | 680pF 50V J | |
| | | | | | C6410 | NCB21AK-105X | C CAPACITOR | 1uF 10V K | |
| | | | | | C6411 | NCB31CK-223X | C CAPACITOR | 0.022uF 16V K | |
| | | | | | C6412 | NCS31HJ-681X | C CAPACITOR | 680pF 50V J | |
| | | | | | R6100 | NRSA63J-471X | MG RESISTOR | 470Ω 1/16W J | |
| | | | | | R6101 | NRSA63J-471X | MG RESISTOR | 470Ω 1/16W J | |
| | | | | | R6102 | NRSA63J-471X | MG RESISTOR | 470Ω 1/16W J | |
| | | | | | R6103 | NRSA63J-561X | MG RESISTOR | 560Ω 1/16W J | |
| | | | | | R6104 | NRSA63J-561X | MG RESISTOR | 560Ω 1/16W J | |
| | | | | | R6105 | NRSA63J-561X | MG RESISTOR | 560Ω 1/16W J | |
| | | | | | R6106 | NRSA63J-391X | MG RESISTOR | 390Ω 1/16W J | |
| | | | | | R6107 | NRSA63J-391X | MG RESISTOR | 390Ω 1/16W J | |
| | | | | | R6108 | NRSA63J-391X | MG RESISTOR | 390Ω 1/16W J | |
| | | | | | R6109 | NRSA63J-471X | MG RESISTOR | 470Ω 1/16W J | |
| | | | | | R6110 | NRSA63J-471X | MG RESISTOR | 470Ω 1/16W J | |
| | | | | | R6111 | NRSA63J-471X | MG RESISTOR | 470Ω 1/16W J | |
| | | | | | R6112 | NRSA63J-561X | MG RESISTOR | 560Ω 1/16W J | |
| | | | | | R6113 | NRSA63J-561X | MG RESISTOR | 560Ω 1/16W J | |

| △ Symbol No. | Part No. | Part Name | Description | Local |
|---------------|-----------------------------|-----------------------|-------------|-------|
| CN322 J321 | QGA2001F1-07 QNN0740-001 | CONNECTOR PIN JACK | W-B (1-7) | |

Packing materials and accessories parts list

Block No. **M 3 M M**

No additional / supplemental order of WARRANTY CARDS are available.



The parts without symbol number are not service.

Packing and Accessories

Block No. [M][3][M][M]

| △ | Symbol No. | Part No. | Part Name | Description | Local |
|---|------------|--------------|-----------------|-------------------------|--|
| | A 1 | GET0457-001A | INST BOOK | ENG FRE SPA | 700J |
| | A 1 | GET0461-001A | INST BOOK | GER FRE ITA | 701E |
| | A 1 | GET0461-004A | INST BOOK | DUT DAN FIN SWE | 701EX |
| | A 1 | GET0461-006A | INST BOOK | ENG GER RUS | 701EY |
| | A 1 | GET0461-005A | INST BOOK | SPA PER TUR | 701EU |
| | A 1 | GET0459-001A | INST BOOK | ENG | 704UI |
| | A 1 | GET0458-001A | INST BOOK | ENG THA | 705U,705UH,706U,706UH |
| | A 1 | GET0458-004A | INST BOOK | ENG INA | 705UN,706UN |
| | A 1 | GET0474-001A | INST BOOK | ENG RUS UKR | 707EE |
| | A 1 | GET0460-001A | INST BOOK | CHI(PEKIN) | 708UF |
| | A 2 | GET0461-002A | INST BOOK | SPA POR GRE | 701E |
| | A 2 | GET0461-003A | INST BOOK | ENG FRE | 701EX,701EU |
| | A 2 | GET0461-007A | INST BOOK | HUN CZE POL | 701EY |
| | A 2 | GET0458-002A | INST BOOK | ARA KOR CHI(TAIWAN) PER | 705U,706U |
| | A 3 | GET0457-002A | INSTALL MANUAL | ENG FRE SPA | 700J |
| | A 3 | GET0461-008A | INSTALL MANUAL | GER FRE ITA | 701E |
| | A 3 | GET0461-010A | INSTALL MANUAL | ENG FRE | 701EX,701EU |
| | A 3 | GET0461-013A | INSTALL MANUAL | ENG GER RUS | 701EY |
| | A 3 | GET0459-002A | INSTALL MANUAL | ENG | 704UI |
| | A 3 | GET0458-006A | INSTALL MANUAL | ENG THA | 705U,705UH,706U,706UH |
| | A 3 | GET0458-009A | INSTALL MANUAL | ENG INA | 705UN,706UN |
| | A 3 | GET0474-002A | INSTALL MANUAL | ENG RUS UKR | 707EE |
| | A 3 | GET0460-002A | INSTALL MANUAL | CHI(PEKIN) | 708UF |
| | A 4 | GET0461-009A | INSTALL MANUAL | SPA POR GRE | 701E |
| | A 4 | GET0461-011A | INSTALL MANUAL | DUT DAN FIN SWE | 701EX |
| | A 4 | GET0461-014A | INSTALL MANUAL | HUN CZE POL | 701EY |
| | A 4 | GET0461-012A | INSTALL MANUAL | SPA PER TUR | 701EU |
| | A 4 | GET0458-007A | INSTALL MANUAL | ARA KOR CHI(TAIWAN) PER | 705U,706U |
| | A 5 | ----- | WARRANTY CARD | BT-51018-5 | 700J |
| | A 5 | ----- | WARRANTY CARD | BT-54031-1 | 701E,701EX,701EY,707EE |
| △ | A 6 | QAM0675-001 | POWER CORD | | 700J |
| △ | A 6 | QAM0569-002 | POWER CORD | | 701E,701EX,701EY,701EU,707EE |
| △ | A 6 | QAM0308-004 | POWER CORD | | 704UI,705U,705UN,705UH,706U,706UN,706UH,708UF |
| △ | A 6 | QAM0980-001 | POWER CORD | | 700J,701E,701EX,701EY,701EU,704UI,705U,705UN,705UH,706U,706UN,706UH,707EE |
| | A 7 | RM-RK50C | REMOCON | | |
| | A 8 | ----- | BATTERY | 3V | |
| | A 9 | LVT1672-001A | INST SHEET | | |
| | A 10 | QYSDSP5008ZA | SCREW | M5 x 8mm(x8) | |
| | A 11 | QYSSSP5008ZA | SCREW | M5 x 8mm(x8) | |
| | A 12 | GE20225-001A | TRIM PLATE | | 701E,701EX,701EY,701EU,707EE |
| | A 12 | GE20224-002A | TRIM PLATE | | 704UI,705U,705UN,705UH |
| | A 12 | GE20224-001A | TRIM PLATE | | 706U,706UN,706UH,708UF |
| | A 13 | VND3050-002 | IDENTITY CARD | | 701E,701EX,701EY |
| | A 14 | VND3046-001 | SERIAL TICKET | | 701E,701EX,701EY,707EE |
| | A 15 | BT-51041-1 | REGIS. CARD | BT-51041-1 | 700J |
| | A 16 | ----- | WARRANTY CARD | BT-52007-1 | 700J |
| | A 17 | LV36827-001A | BLIND PLATE | | 700J |
| | A 18 | GET0458-003A | INST BOOK | RUS | 705U,706U |
| | A 19 | GET0458-008A | INSTALL MANUAL | RUS | 705U,706U |
| | KIT | SRW-KW400J | SCREW PARTS KIT | A10 A11 | |
| | P 1 | GE32743-001A | CARTON | | 700J |
| | P 1 | GE32761-002A | CARTON | | 701E,701EX,701EY,701EU |
| | P 1 | GE32755-001A | CARTON | | 704UI |
| | P 1 | GE32746-001A | CARTON | | 705U,705UN,705UH |
| | P 1 | GE32749-001A | CARTON | | 706U,706UN,706UH |
| | P 1 | GE32764-001A | CARTON | | 707EE |
| | P 1 | GE32758-001A | CARTON | | 708UF |
| | P 2 | GE10202-002A | CUSHION FRONT | | 700J,704UI,705U,705UN,705UH,706U,706UN,706UH,708UF |
| | P 2 | GE10207-002A | CUSHION FRONT | | 701E,701EX,701EY,701EU,707EE |
| | P 3 | GE10203-001A | CUSHION REAR | | 700J,704UI,705U,705UN,705UH,706U,706UN,706UH,708UF |
| | P 3 | GE10208-001A | CUSHION REAR | | 701E,701EX,701EY,701EU,707EE |
| | P 4 | QPC03504015P | POLY BAG | 35cm x 40cm | |
| | P 5 | FSPG4002-001 | POLY BAG | | 700J,704UI,705U,705UN,705UH,706U,706UN,706UH,707EE,708UF |
| | P 5 | FSPG4002-001 | POLY BAG | (x2) | 701E,701EX,701EY,701EU |
| | P 6 | QPA01502503 | POLY BAG | 15cm x 25cm | 701E,701EX,701EY,701EU,704UI,705U,705UN,705UH,706U,706UN,706UH,707EE,708UF |
| | P 7 | QPA00801205 | POLY BAG | 8cm x 12cm | |

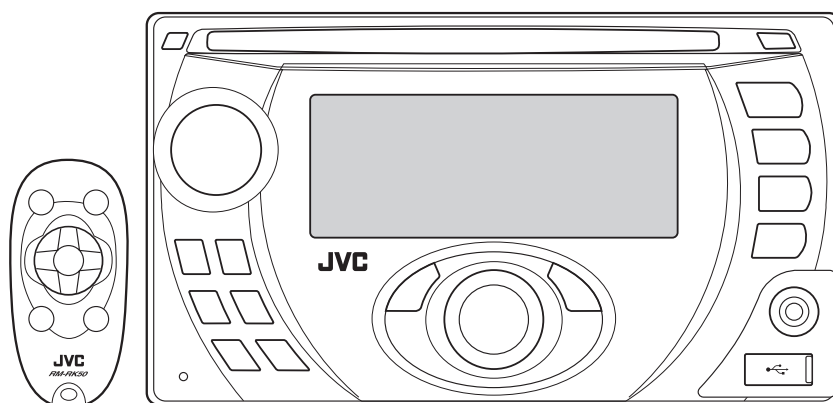
JVC

SCHEMATIC DIAGRAMS

CD RECEIVER

**KW-XG700J, KW-XG701E, KW-XG701EX
KW-XG701EY, KW-XG701EU, KW-XG704UI
KW-XG705U, KW-XG705UN, KW-XG705UH
KW-XG706U, KW-XG706UN, KW-XG706UH
KW-XG707EE, KW-XG708UF**

CD-ROM No.SML200706



KW-XG700



KW-XG700

WMA MP3



KW-XG701
KW-XG707

* Please refer to the mechanism manual (model TN2007-1010, No.MY005, MY005B) for the CD mechanism.

Lead free solder used in the board (material : Sn-Ag-Cu, melting point : 219 Centigrade)
Lead free solder used in the board (material : Sn-Cu, melting point : 230 Centigrade)

Contents

| | |
|-----------------------------------|----------|
| Block diagram | 2-1 |
| Standard schematic diagrams | 2-2 |
| Printed circuit boards | 2-7 to 9 |

Safety precaution



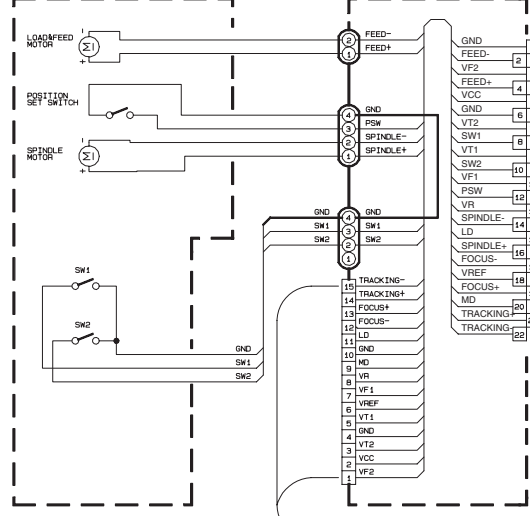
CAUTION Burrs formed during molding may be left over on some parts of the chassis. Therefore, pay attention to such burrs in the case of performing repair of this system.



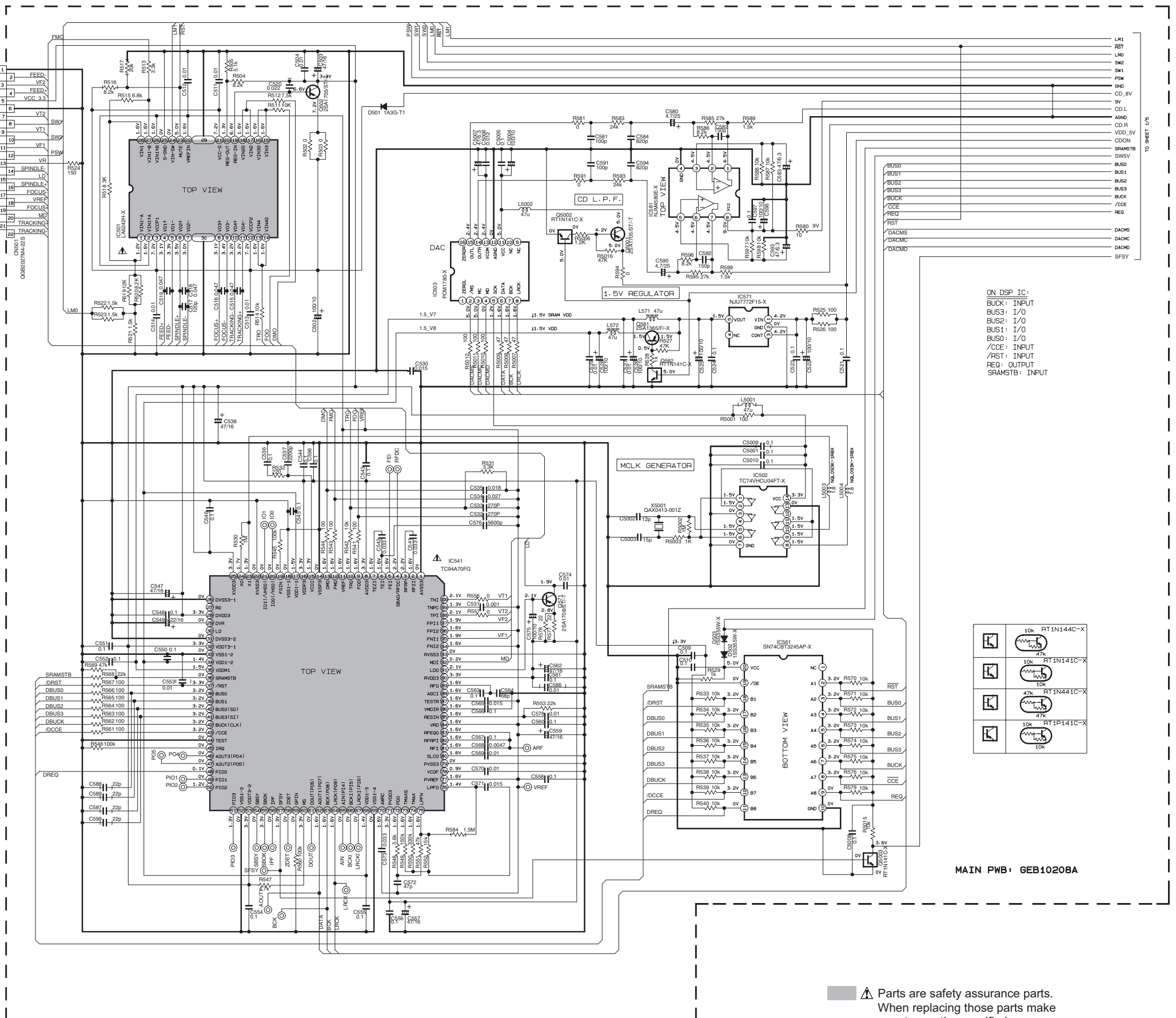
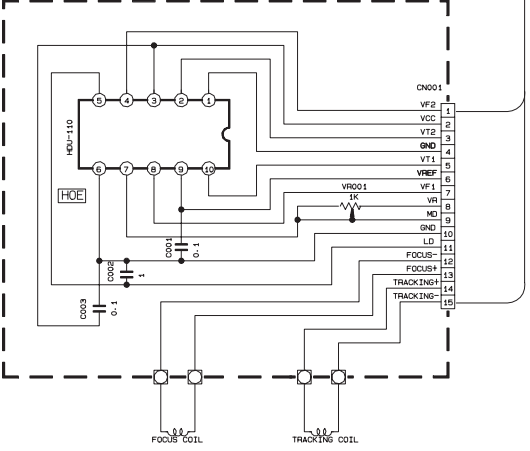
CAUTION Please use enough caution not to see the beam directly or touch it in case of an adjustment or operation check.

■ CD section

MECHA: QAL0812-001



PICK UP (OPTIMA-725)



ON DSP IC:
 BUCK: INPUT
 BUS3: I/O
 BUS2: I/O
 BUS1: I/O
 BUS0: I/O
 /CCE: INPUT
 /RST: INPUT
 REQ: OUTPUT
 SRAMSTB: INPUT

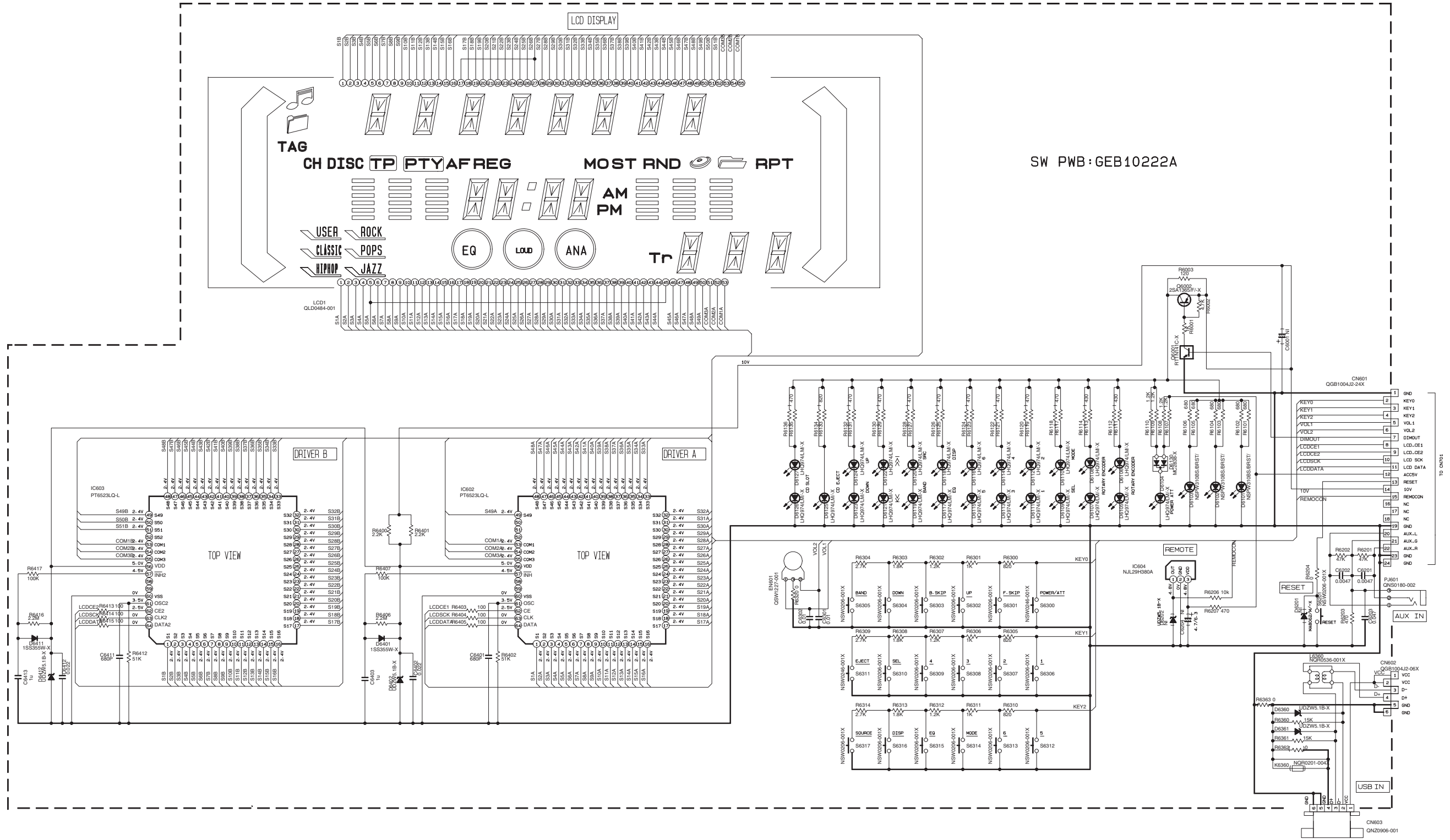
| | | |
|--|-----|------------|
| | 10k | RT1N144C-X |
| | 10k | RT1N141C-X |
| | 47k | RT1N441C-X |
| | 10k | RT1P141C-X |
| | 10k | |

MAIN PWB: 6EB10208A

- NOTES
- VOLTAGES ARE DC-MEASURED WITH A DIGITAL VOLT METER WITHOUT INPUT SIGNAL CONDITION—CD MODE.
 - UNLESS OTHERWISE SPECIFIED:
 ALL RESISTORS ARE 1/16WMSK METAL GLAZE RESISTOR
 ALL CAPACITORS ARE 50V OR 50V CERAMIC CAPACITOR.
 ALL RESISTANCE VALUES ARE IN OHM.
 ALL CAPACITANCE VALUES ARE IN (UF)(PF)
 ALL E-CAPACITORS ARE SHOWN IN THE FORM OF CAPACITANCE(UF)/RATED VOLTAGE(V)
 MF — METALLIZED FILM CAPACITOR
 - COMPONENTS IN () INDICATE NOT USE.

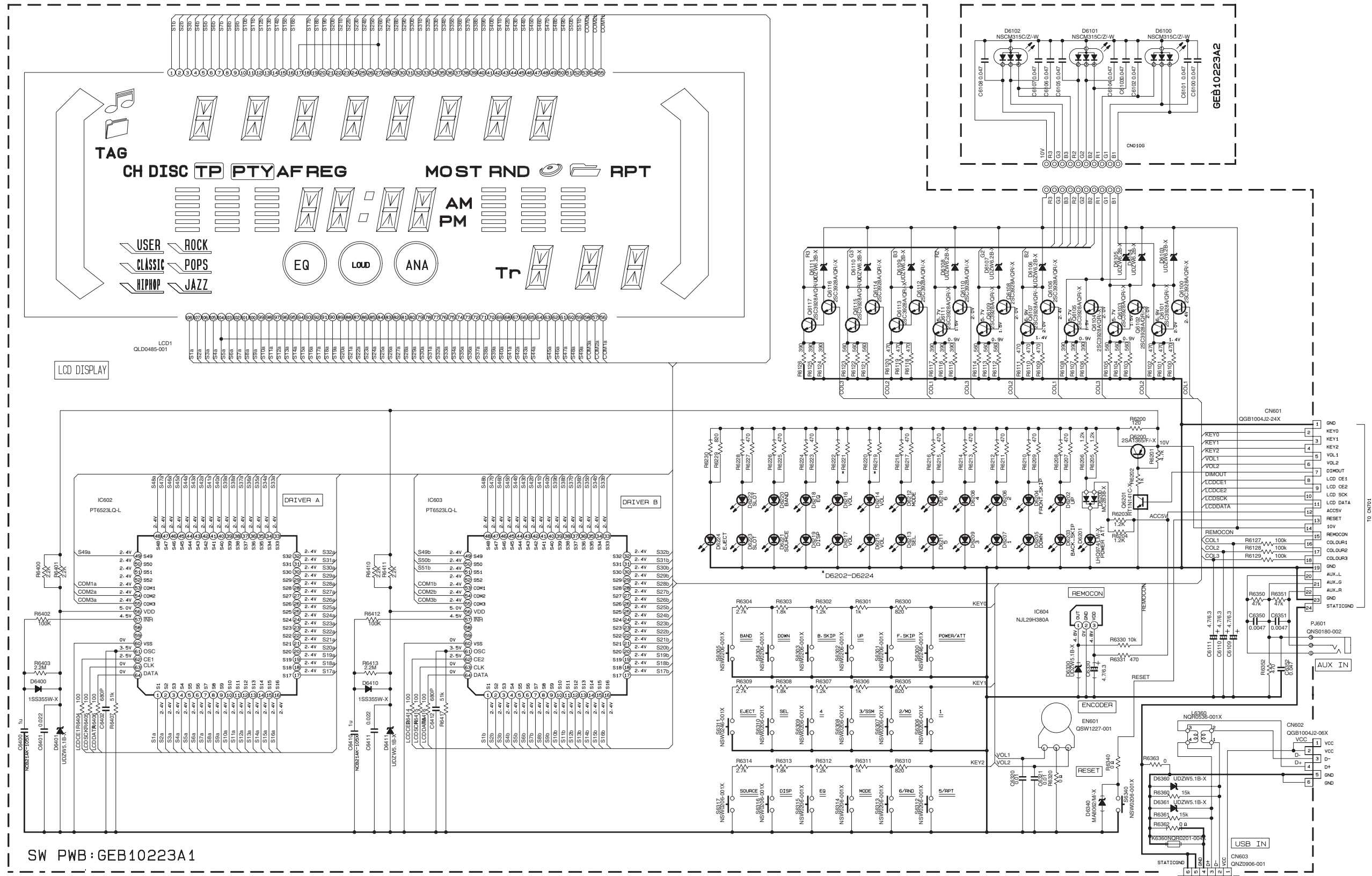
▲ Parts are safety assurance parts.
 When replacing those parts make sure to use the specified one.

■ LCD and Key control section (for KW-XG700J)



- NOTES
1. VOLTAGES ARE DC-MEASURED WITH A DIGITAL VOLT METER WITHOUT INPUT SIGNAL.
CONDITION: FM MODE: [] AM MODE: [] CD MODE: [] TAPE MODE: []
 2. UNLESS OTHERWISE SPECIFIED:
ALL RESISTORS ARE 1/16W OR 1/10W OR 1/8W ±5% METAL GLAZE RESISTOR.
ALL CAPACITORS ARE 50V OR 25V OR 16V CERAMIC CAPACITOR OR 50V MYLAR CAPACITOR.
ALL RESISTANCE VALUES ARE IN Ω(MΩ).
ALL CAPACITANCE VALUES ARE IN pF(pF).
 3. NI STANDS FOR NOT MOUNTED PARTS

■ LCD and Key control section (except KW-XG700J)

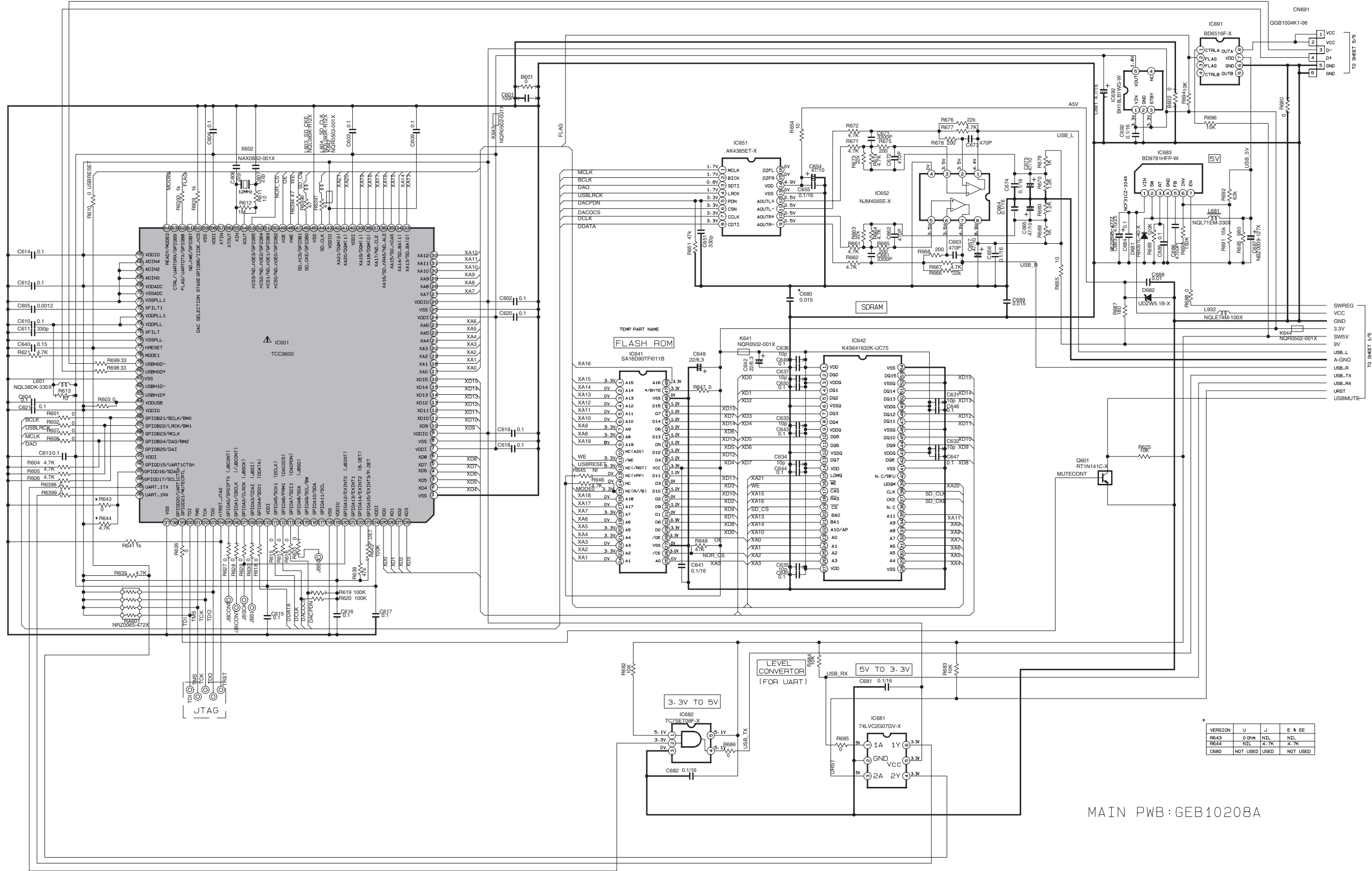


SW PWB:GEB10223A1

- NOTES**
- VOLTAGES ARE DC-MEASURED WITH A DIGITAL VOLT METER WITHOUT INPUT SIGNAL. CONDITION --- FM MODE. □ AM MODE. | IC D MODE. | ITAPE MODE.
 - UNLESS OTHERWISE SPECIFIED. ALL RESISTORS ARE 1/16W OR 1/10W OR 1/8W 45% METAL GLAZE RESISTOR. ALL CAPACITORS ARE 50V OR 25V OR 16V CERAMIC CAPACITOR OR 50V MYLAR CAPACITOR. ALL RESISTANCE VALUES ARE IN Ω(MΩ). ALL CAPACITANCE VALUES ARE IN #P(#PF). ALL E. CAPACITORS ARE SHOWN IN THE FORM OF CAPACITANCE(μF)/RATED VOLTAGE (V).
 - NI STANDS FOR NOT MOUNTED PARTS

| | | |
|---------------|--------------|--------------|
| R6219 & R6221 | 430 Ω | 470 Ω |
| D6202-D6224 | LH4974/LM/-X | LS9971/KL/-X |

■ USB section



MAIN PWB:GEB10208A

NOTES

- VOLTAGES ARE DC-MEASURED WITH A DIGITAL VOLT METER WITHOUT INPUT SIGNAL. CONDITION --- CD MODE.
- UNLESS OTHERWISE SPECIFIED.
 - ALL RESISTORS ARE 1/10W OR 1/8W OR 1/4W ±5% METAL GLAZE RESISTOR.
 - ALL CAPACITORS ARE 50V OR 25V OR 16V CERAMIC CAPACITOR OR 50V MYLAR CAPACITOR.
 - ALL RESISTANCE VALUES ARE IN OHM(Ω).
 - ALL CAPACITANCE VALUES ARE IN pF(pF).
 - ALL E-CAPACITORS ARE SHOWN IN THE FORM OF CAPACITANCE(μF)/RATED VOLTAGE (V).

▲ Parts are safety assurance parts. When replacing those parts make sure to use the specified one.

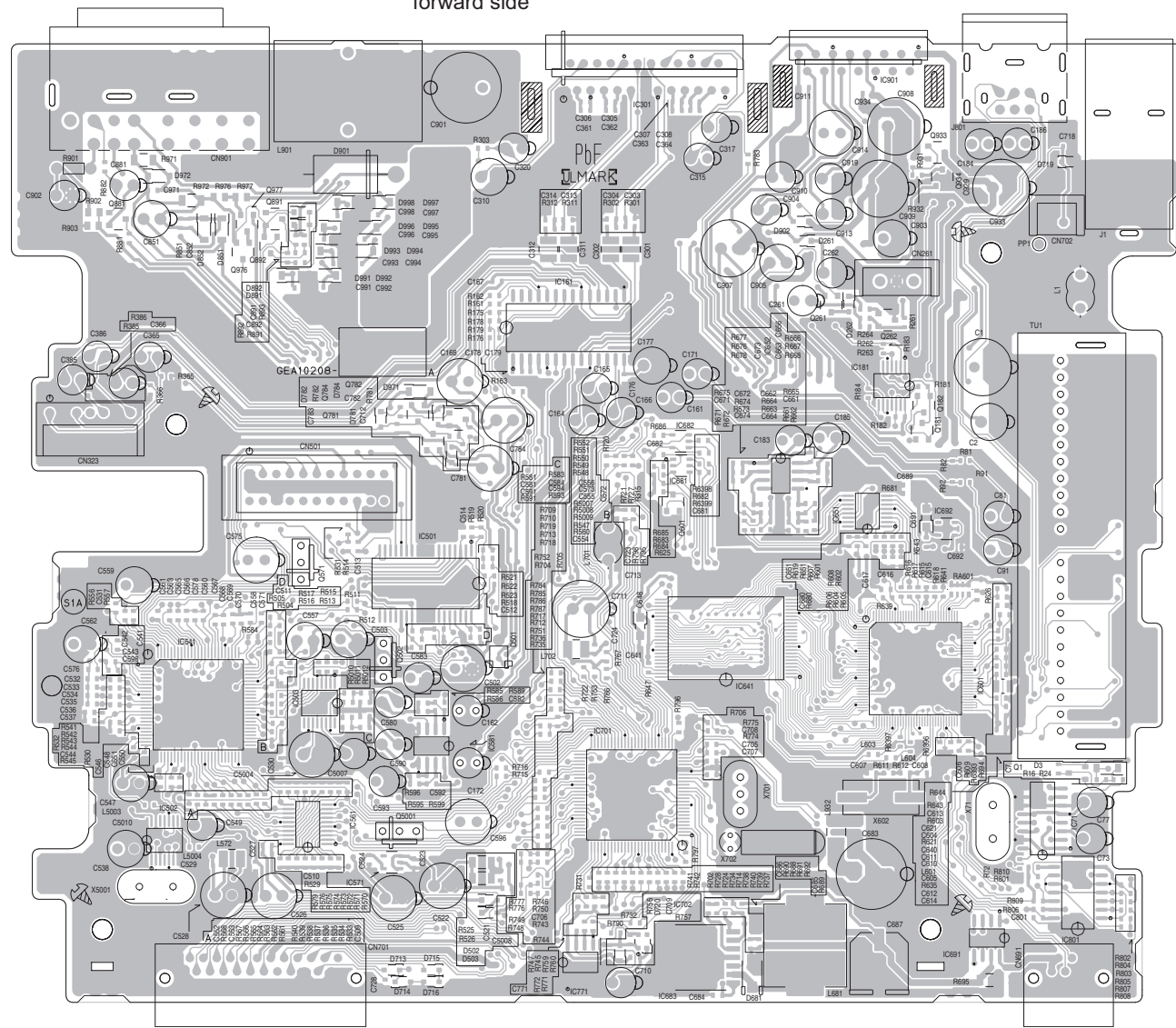
Printed circuit boards

■ Main board

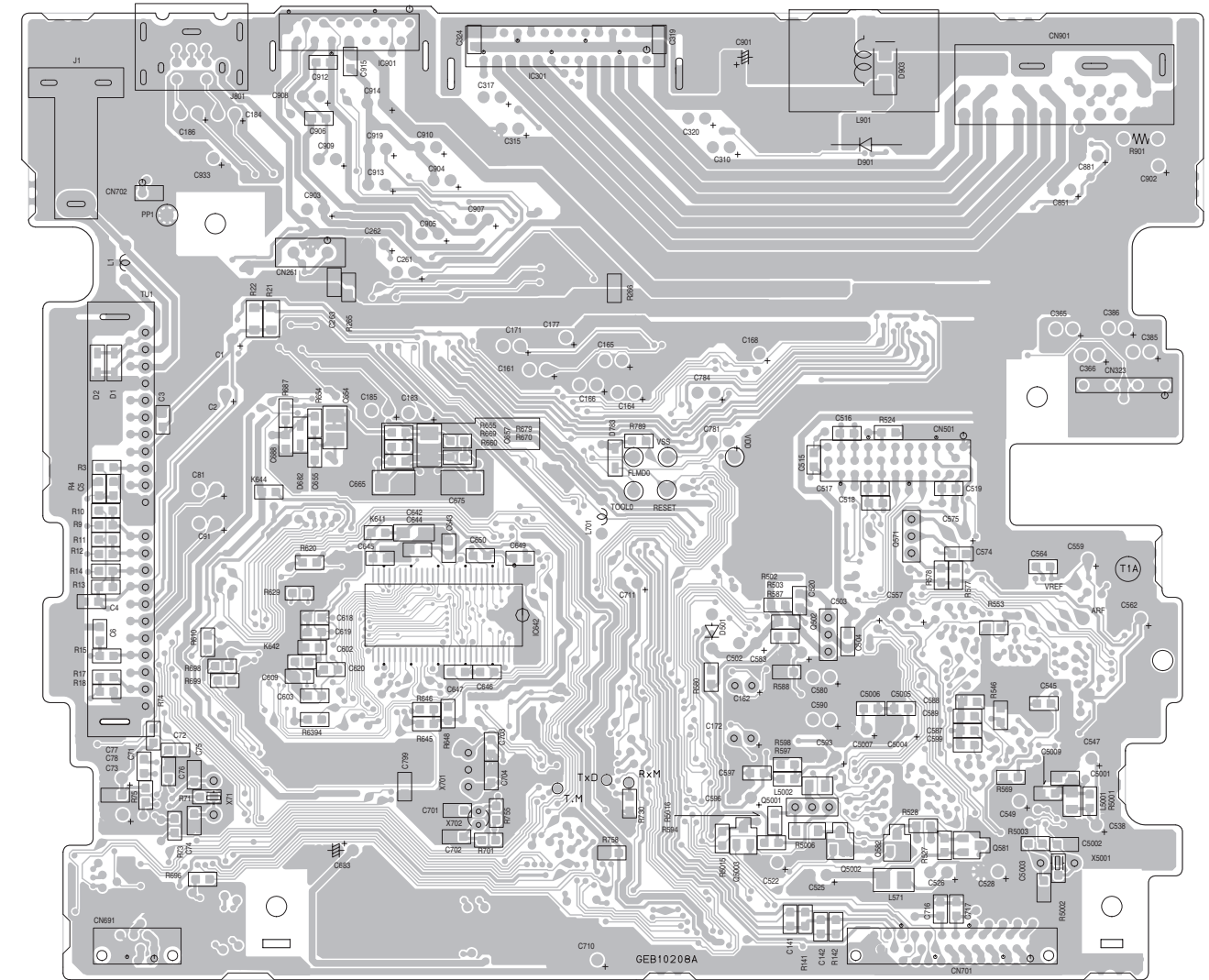
Lead free solder used in the board (material : Sn-Ag-Cu, melting point : 219 Centigrade)

Lead free solder used in the board (material : Sn-Cu, melting point : 230 Centigrade)

forward side



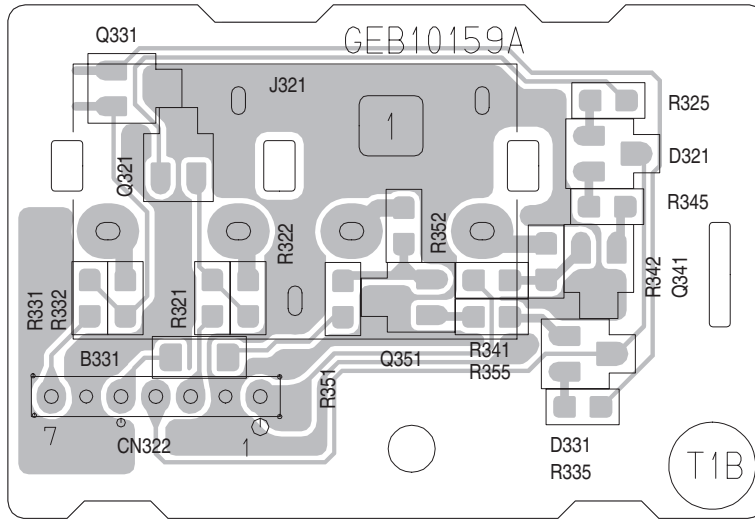
reverse side



■ **Function board**

Lead free solder used in the board (material : Sn-Ag-Cu, melting point : 219 Centigrade)

Lead free solder used in the board (material : Sn-Cu, melting point : 230 Centigrade)



JVC

Victor Company of Japan, Limited

Mobile Entertainment Business Group Mobile Entertainment Category 10-1, 1chome, Ohwatari-machi, Maebashi-city, Gumma-ken, 371-8543, Japan

(No.MA346SCH)



Printed in Japan
VPT